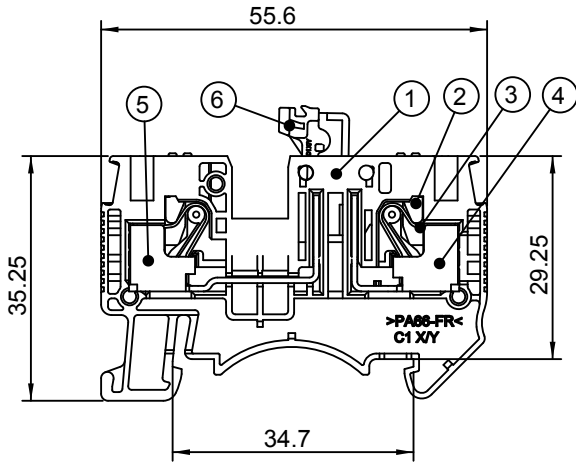
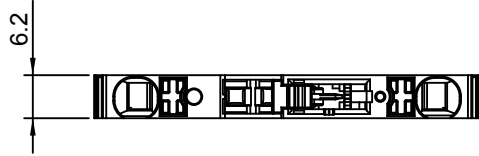
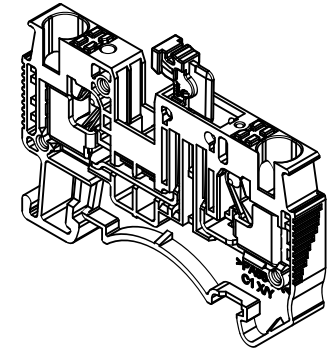
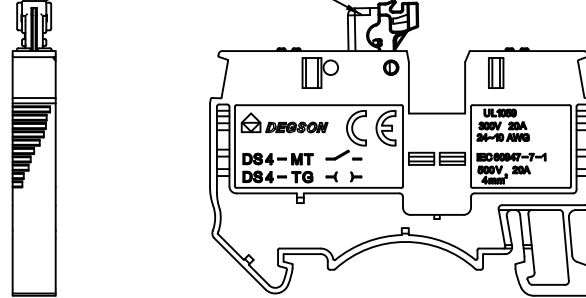


Transfer or duplication of this document as well as the utilization or communication of its contents are prohibited unless explicit authorization is granted. Violations will be liable for compensation. All rights reserved for patent, utility model or designs registrations. 非经书面授权, 不得复制或进行任何方式的修改、利用、交流本文件的内容。 侵犯者将承担赔偿责任。 本公司保留追究侵权者的所有权利。



Knife switch closed when shipment



公差/General tolerances(mm)											0.1/10		
0	>3	>6	>10	>18	>30	>50	>80	>120	>180	>250		>315	>400
±0.12	±0.18	±0.22	±0.26	±0.31	±0.37	±0.57	±0.80	±1.20	±1.80	±2.50	±3.15	±4.00	±5.00
											±2'		

UL 标准/ U.L. Standard:	B	C	D
额定电压/ 电流/ Rated Voltage(V)/ Current(A)	300V 20	300V 20	/
IEC 标准/ IEC Standard:			
过压类别/ Overvoltage Category/ 污染等级/ Pollution Degree	III/ 3	III/ 2	II/ 2
额定电压/ 电流/ Rated Voltage(V)/ Current(A)	500/ 20	/	/
额定脉冲电压(KV)/ Rate Impulse Voltage(KV)	6	/	/
线径范围(硬线和软线)/ Wire Range(rigid and flexible)(AWG mm²)	24~10 / 0.2~4.6 (Sol)		
剥线长度/ Stripping length(mm)	11~13		
使用温度范围/ Operating temperature(°C)	- 40~+ 105		
符合 RoHS 环保要求/ Conform to RoHS	Yes		

DS4-MT-01P-1Y-00AH
DS4 - series
MT - modification with disconnection pins
01P - no value
1 - single-row
Y - color of housing (1 - gray color, 2 - blue color)
00AH - no value

ITEM	NAME OF PART	MATERIAL	NOTES
6	Knife_Switch	PA66/Copper	/
5	Long_current_carrier	Copper	Sn plated
4	Short_current_carrier	Copper	Sn plated
3	Spring	Stainless steel	/
2	Button	PA66+GF%	UL94V-0
1	Housing	PA66	UL94V-0

DEGSON		MATERIAL:	/	SURFACE:	/			
APPD:	Li GL	2022.05.05	MAT NO./REV:	/	MAT STATUS:	/		
CHKD:	Ma EK	2022.04.27	NAME NINGBO DEGSON ELECTRICAL CO., LTD.					
			DS4-MT-01P-1Y-00A (H)					
DRFT:	Wang LX	2022.04.26	DRAWING NO.	/	TYPE	CUSTOMER DRAWING		
REV		ECN	DESCRIPTION	DRFT	DATE	DRAWING STATUS	SCALE	SHEET
00	/	/	/	Wang LX	2022.04.26	/	1:1	1/1

REV	ECN	DESCRIPTION	DRFT	DATE
00	/	/	Wang LX	2022.04.26