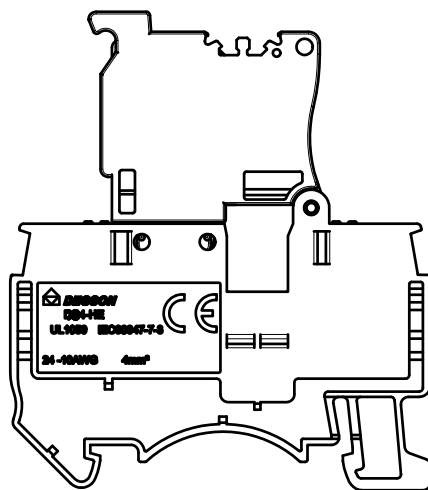
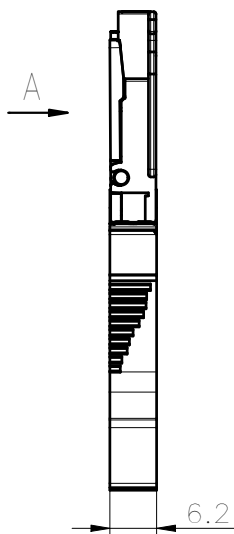
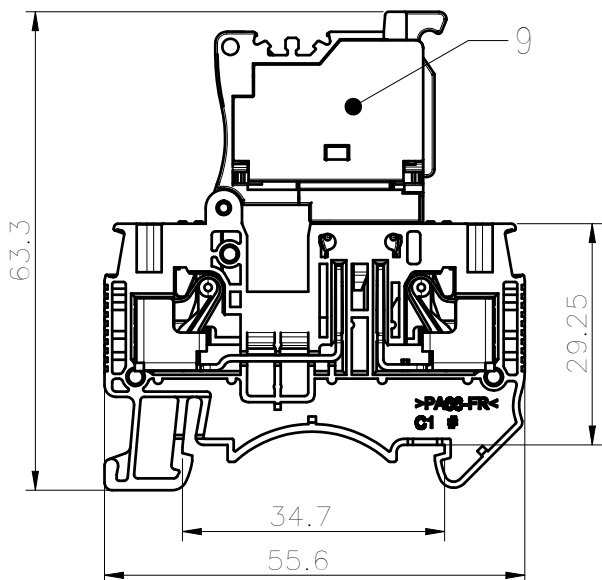


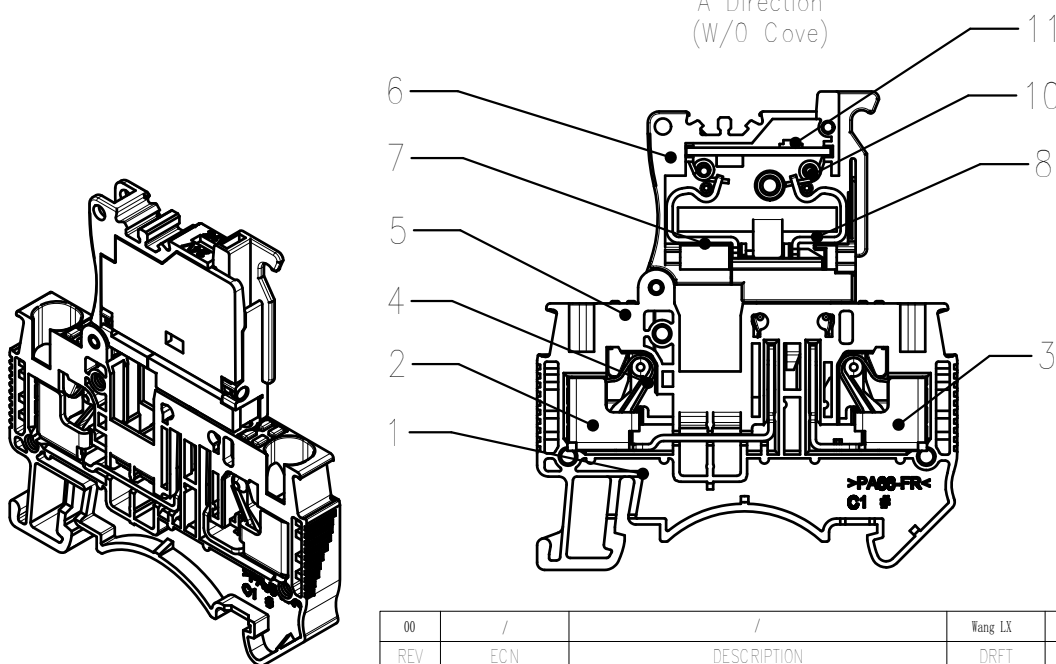
未注公差/General tolerances(mm)													0.1/10
0	>3	>6	>10	>18	>30	>50	>80	>120	>180	>250	>315	>400	
~3	~6	~10	~18	~30	~50	~80	~120	~180	~250	~315	~400	~500	>500
±0.12	±0.18	±0.22	±0.26	±0.31	±0.37	±0.57	±0.80	±0.93	±1.05	±1.15	±1.60	±2.20	±2.50



DS4-HE-LD24-01P-1Y-00AH
 DS4-HE - series
 LD24 - modification for Fuse Housing
 01P - no value
 1 - single-row
 Y - color of housing (3 - black color)
 00AH - no value

ITEM	NAME OF PART	MATERIAL	NOTES
11	DS4-HE 24V PCB	/	/
10	Torsional spring	bronze	/
9	Cover	PA66	UL94V-0
8	Current carrier 4	Copper alloy	Sn plated
7	Current carrier 3	Copper alloy	Sn plated
6	Fuse Housing	PA66	UL94V-0
5	Button	PA66+GF%	UL94V-0
4	Spring	Stainless steel	/
3	Current carrier 2	Copper alloy	Sn plated
2	Current carrier 1	Copper alloy	Sn plated
1	Housing	PA66	UL94V-0

A Direction
(W/O Cove)



UL 标准/UL Standard:	B	C	D
额定电压/电流/Rated Voltage(V)/Current(A)	/	/	/
IEC 标准/IEC Standard:			
过压类别/Overvoltage Category/污染等级/Pollution Degree	III/3	III/2	II/2
额定电压/电流/Rated Voltage(V)/Current(A)	24/6.3	/	/
额定脉冲电压(KV)/Rate Impulse Voltage(KV)	/	/	/
线径范围(硬线和软线)/Wire Range(rigid and flexible)(AWG/mm²)	24~10 / 0.2~4.6(Sol)		
间距/Pitch(mm)/线数范围/Poles	6.2/01P		
剥线长度/Stripping length(mm)	11~13		
使用温度范围/Operating temperature(°C)	-40~+105		
符合 RoHS 环保要求/Conform to RoHS	Yes		

		MATERIAL: /	SURFACE: /
		MAT NO./REV: /	MAT STATUS: /
APPD: Li GL	2022.04.25	NAME NINGBO DEGSON ELECTRICAL CO., LTD.	
CHKD: Ma EK	2022.04.25	DS4-HE-LD24-01P-1Y-00A (H)	
DRFT: Wang LX	2022.04.15	DRAWING NO. /	TYPE COMPONENT DRAWING
		DRAWING STATUS /	SCALE 1:1
		SHEET 1/1	

REV	ECN	DESCRIPTION	DRFT	DATE
00	/	/	Wang LX	2022.04.15

Transfer or duplication of this document as well as the utilization or communication of its contents are prohibited unless explicit authorization is granted. All rights reserved for patent, utility model or design registrations. 非经书面授权, 否则禁止转让、复制、利用、交加本文件内容, 侵犯者将承担责任。 公司拥有全部知识产权, 未经授权, 否则禁止转让、复制、利用、交加本文件内容, 侵犯者将承担责任。