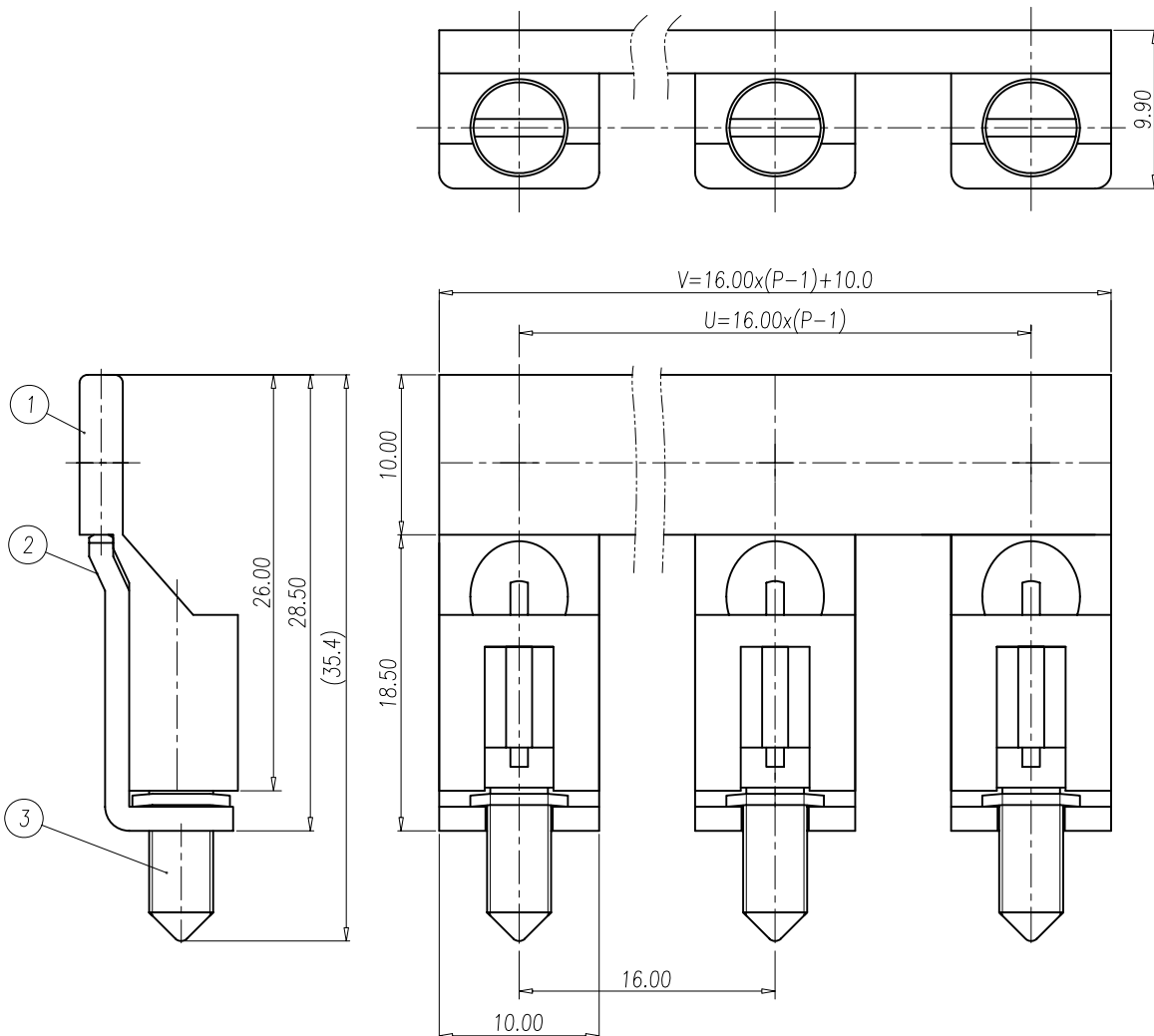


Normal Geometric Tolerancing				
—	//	≡	⊥	
0 to 100	0.2	0.3	0 to 10	0.2
over 100 to 150	0.3		over 10	0.3
over 150	0.5			
Total Pitch Tolerances		Normal dimension Tolerances		
0<U<=30	±0.20	0~30	±0.25	
30<U<=53	±0.25	over 30~53	±0.30	
53<U<=70	±0.30	over 53~70	±0.35	
70<U<=90	±0.35	over 70~90	±0.44	
90<U<=115	±0.44	over 90~115	±0.55	
115<U<=150	±0.55	over 115~150	±0.70	
150<U<=200	±0.70	over 150~200	±0.85	
200<U<=250	±0.85	over 200~250	±1.00	
250<U<=320	±1.00	over 250~320	±1.20	



NOTES:

- Rating: 115A  
PITCH: 16.00mm
- Insulation Resistance:  
500MΩ or more at DC500V
- Using Temperature Range:  
-40°C~+105°C
- Screw Torque Value: 1.4 N · m (MAX)
- RoHS Compliance

P	2	3	4	5	6	7	8	9	10
U	16.00	32.00	48.00	64.00	80.00	96.00	112.00	128.00	144.00
V	26.00	42.00	58.00	74.00	90.00	106.00	122.00	138.00	154.00

3	SCREW	STEEL	M4/Zn Plated
2	LINK PIN	COPPER ALLOY	Tin Plated
1	COVER	PA66	UL94V-0 GRAY
ITEM	NAME OF PART	MATERIAL	NOTES

DWG.	SCL	DATE	12.12.17	UNITS	MM	SHEET/OF	1 / 1
CHK.		DATE		SCALE	3:1 ( : )		
APP.		DATE					
REV.		CONTENT	CHK.	DATE	NAME		DS35-XXP
					DWG NO.	SP-03-DS350000	

REV.	CONTENT	CHK.	DATE