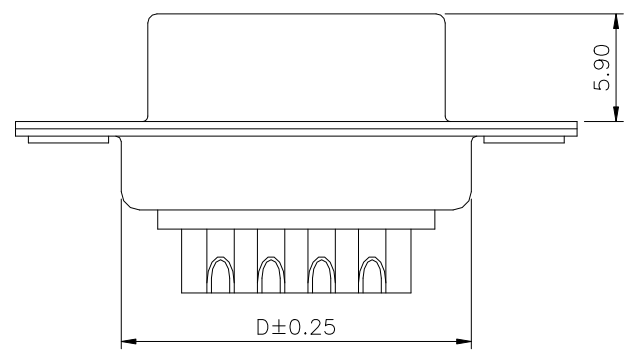
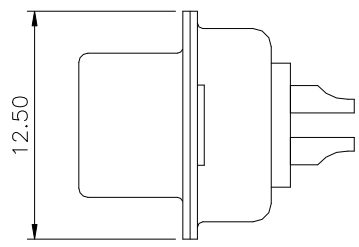
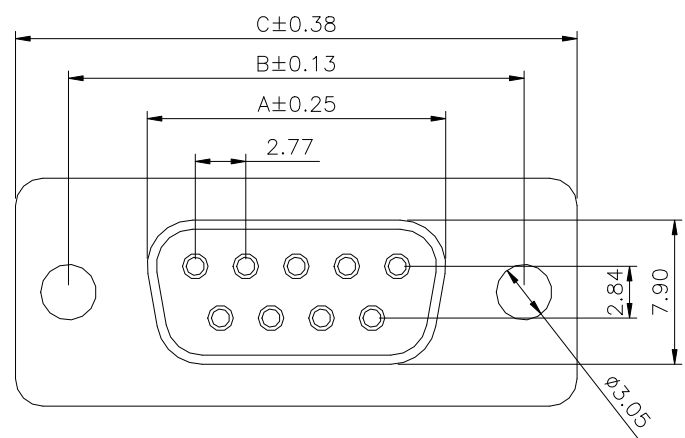


SPECIFICATION

Current Rating:5.0 Amp
 Dielectric Withstanding Voltage:1000V AC For 1 Minute
 Contact Resistance:30 Milliohms Max.
 Insulation Resistance:5000 Megaohms Min.
 Temperature Range:-55°C~+105°C
 Insulator:PBT+30%G.F.(UL94V-0)
 Contact:Brass,Gold Flash Over All,Over Nickel
 Shell:Steel,Tin Plated On Back Shell
 Nickel Plated On Front Shell
 RoHS Compliant



- DS XX S G T - M - XX - H
 (1) (2) (3) (4) (5) (6) (7) (8)
- (1) DS:D-SUB Solder Wire Type
 - (2) XX:No. Of Position
 - (3) S:Female
 - (4) G:Gold Flash Over All,Over Nickel
 - (5) T:Tray Packing
 - (6) M:Machine Pin
 - (7) XX:Insulator Color
 Blank:Blue
 BK:Black
 WH:White
 - (8) H:RoHS Compliant

Pin	A	B	C	D
09	16.33	24.99	30.81	19.28
15	24.66	33.32	39.14	27.51
25	38.38	47.04	53.04	41.28
37	54.84	63.50	69.32	57.71

AUK A MEMBER OF AUK GROUP
太聯事業股份有限公司
AUK CONTRACTORS CO., LTD.

CATEGORY		APPROVED BY		UNLESS OTHERWISE SPECIFIED TOLERANCES ARE X. ±0.50 .X ±0.38 .XX ±0.25 .XXX ±0.15 ANG. ±2°
PART No. DSXXSGT-M-XX-H		MEI		
DRAWING No. DSXXSGT-M-XX-H		CHECKED BY HZF		
SCALE		DRAWING BY CYP		
SCALE	NONE	REV.	A0	UNIT mm

△ A0	NEW RELEASE	HZF	08/23/2015
NO.REV.	REVISIONS	CHK	DATE