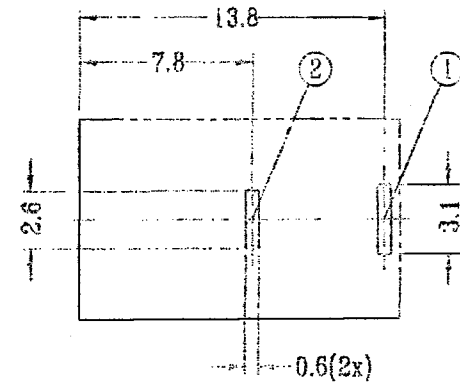
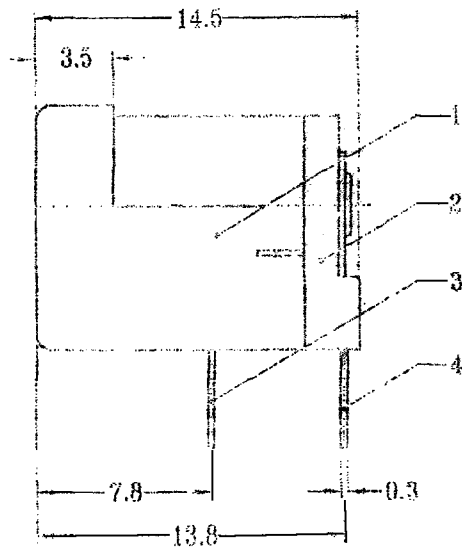
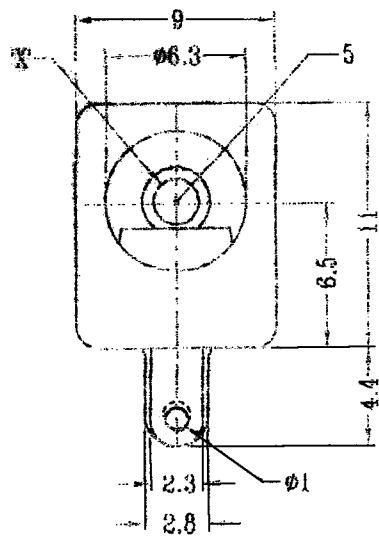
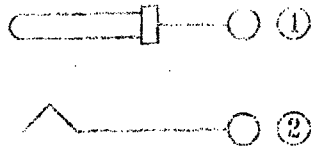


RoHS
Compliant
Drawing For
Reference Only



P.C.B LAYOUT



SCHEMATEC

Technical requirement :

1. This product should meet EU RoHS related requirement.
2. The surface of plastic part should be without any crackle such as burr,lack,and so on phenomenon.
3. The surface of metal part should be without any defect such as scaur,nick,oxidation and plating problem.
4. The electronic performance should be the same as spec.
5. The un-specified tolerance is : $< -6 \pm 0.2$
 $6 \sim 20 \pm 0.3$
 $> 20 \pm 0.4$

6.	Position Plate	Brass Strip	1	Ag Plated Over Ni Plated
5	Plug Pin	Brass	1	Ni Plated
4	Contact	Brass Strip	1	Ag Plated Over Ni Plated
3	Spring Terminal	PBS Strip / SUS	1	Ag Plated Over Ni Plated
2	Cover	PPA	1	Black
1	Housing	PPA	1	Black
NO.	PART	MATERIAL	QTY	REMARKS

DCI DRAGON CITY INDUSTRIES LIMITED

Item Name	DC POWER JACK	Tolerance :	Design	K.W Law	Remark	Scale
Item No.	DS-201(SL)	Unit : mm	Drawing	W.K Yeung	Remark	Material
			Check	K.L Wong	Remark	Drawing No. A21127-1600
			Approval	K.W Chan	Remark	Sheet