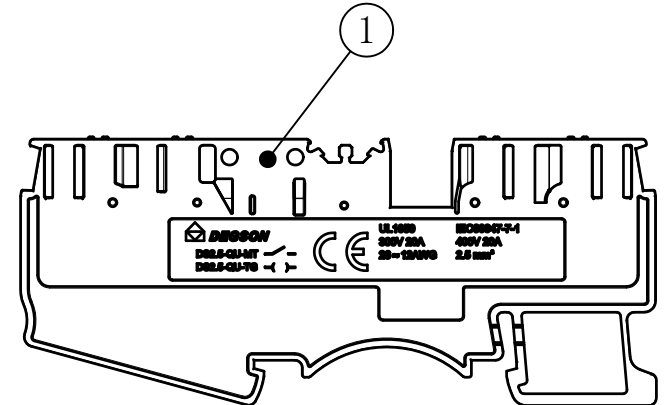
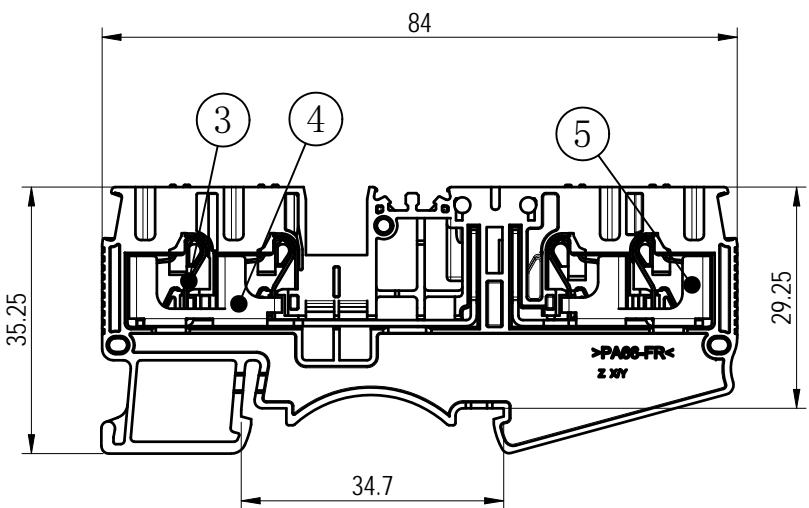
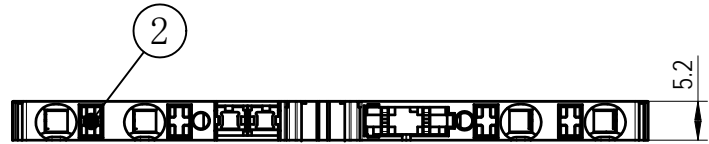
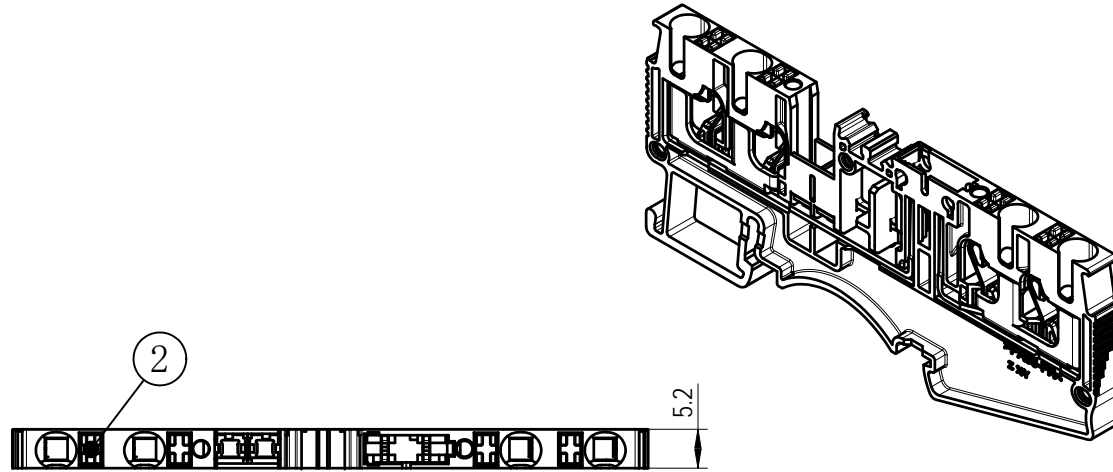


Transfer or duplication of this document as well as the utilization or summation of its contents are prohibited unless authorized in writing. All rights reserved for patent, utility model or design registrations. 除专利号明确标注外, 否则禁止译法、复制、引用、充数等文件的修改。 未经书面许可, 不得复制或进行任何形式的修改。 保留所有权利, 侵权必究。

未注公差/General tolerances (mm)													0.1/10 ±2'
0	>3	>6	>10	>18	>30	>50	>80	>120	>180	>250	>315	>400	
~3	~6	~10	~18	~30	~50	~80	~120	~180	~250	~315	~400	~500	
±0.12	±0.18	±0.22	±0.26	±0.31	±0.37	±0.57	±0.80	±0.93	±1.05	±1.15	±1.60	±2.20	±2.50

UL 标准/UL Standard:		B	C	D
额定电压/电流/Rated Voltage(V)/Current(A)		300V/20	300/20	600/5
IEC 标准/IEC Standard:				
过压类别/Overvoltage Category/污染等级/Pollution Degree		III/3	III/2	II/2
额定电压/电流/Rated Voltage(V)/Current(A)		400/20	/	/
额定脉冲电压(KV)/Rate Impulse Voltage(KV)		6	/	/
线径范围(硬线和软线)/Wire Range(rigid and flexible)(AWG/mm ²)		26~12 / 0.14~2.5.4(sol)		
间距/Pitch(mm)/线数范围/Poles		5.2/N=01P		
剥线长度/Stripping length(mm)		10~12		
使用温度范围/Operating temperature(°C)		-40~+105		
符合RoHS环保要求/Conform to RoHS		Yes		
标准颜色编号/Standard color number. PANTONE / RAL		/		

5	Current carrier 2	Copper	Sn Plated
4	Current carrier 1	Copper	Sn Plated
3	Spring	Stainless steel	/
2	Button	PA66+GF%	UL94V-0
1	Housing	PA66	UL94V-0
ITEM	NAME OF PART	MATERIAL	NOTES



		MATERIAL:		SURFACE/COLOR:	
		MAT NO./REV: 11040000297-1 / 00		MAT STATUS: 样品	
APPD: 李根芳	2022.11.03	NAME			
CHKD: 马恩升	2022.11.01	DS2.5-QU-TG-01P-11-00A(H)			
DRFT: 赵前雄	2022.10.27	DRAWING NO.	TYPE	DRAWING STATUS	SCALE
		200068957	CUSTOMER DRAWING	已发布	2:1
					SHEET 1/1

00	/	赵前雄	2022.10.27
REV	ECN	DESCRIPTION	DRFT DATE