

未注公差/General tolerances(mm)											0.1/10 ±2'		
0 ~ 3	>3 ~ 6	>6 ~ 10	>10 ~ 18	>18 ~ 30	>30 ~ 50	>50 ~ 80	>80 ~ 120	>120 ~ 180	>180 ~ 250	>250 ~ 315		>315 ~ 400	>400 ~ 500
±0.12	±0.18	±0.22	±0.26	±0.31	±0.37	±0.57	±0.80	±0.93	±1.05	±1.15	±1.60	±2.20	±2.50

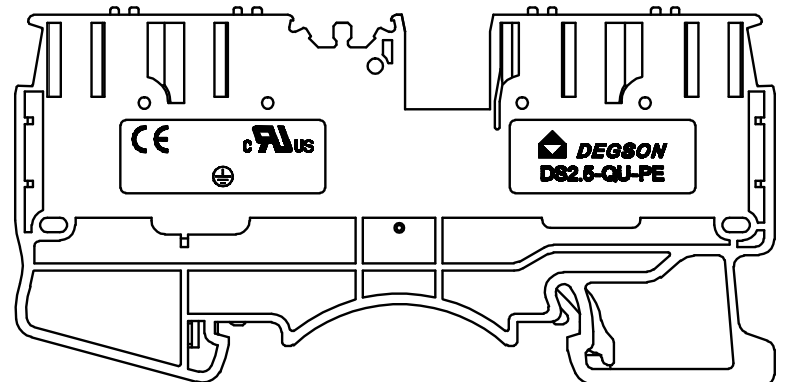
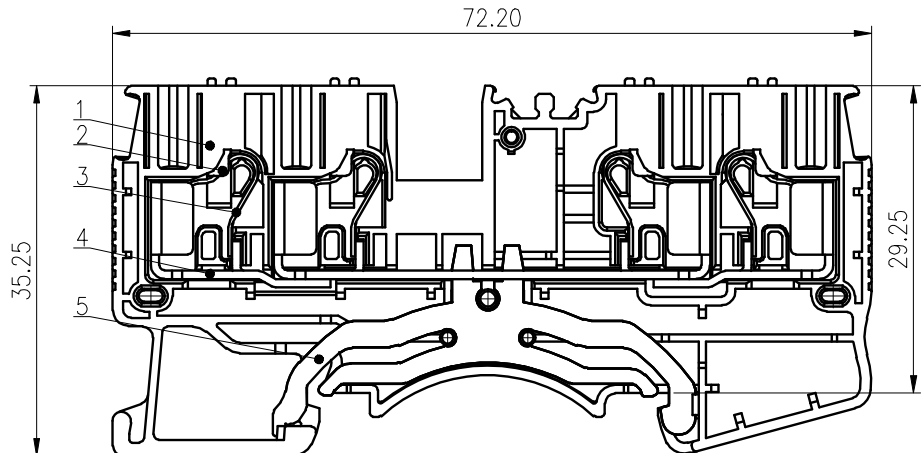


A

B

C

D



DS2.5-QU-PE-01P-1C-00AH
DS2.5-QU-PE - series
01P - no value
1 - single-row
C - color of housing (yellow-green color)
00AH - no value

Rated surge voltage 1000 volts

UL 标准/UL Standard:	B	C	D
额定电压/电流/Rated Voltage(V)/Current(A)	/	/	/
IEC 标准/IEC Standard:			
过压类别/Overvoltage Category/污染等级/Pollution Degree	III/3	/	/
额定电压/电流/Rated Voltage(V)/Current(A)	/	/	/
额定脉冲电压(KV)/Rate Impulse Voltage(KV)	8.0	/	/
线径范围(硬线和软线)/Wire Range(rigid and flexible)(mm ² /AWG)	0.2~2.5&4(SOL)/26~12		
剥线长度/Stripping length(mm)	10~12		
使用温度范围/Operating temperature(°C)	-40~+105		
符合RoHS环保要求/Conform to RoHS	Yes		

5	Grounding	Copper alloy	Sn plated
4	Current carrier	Copper	Sn plated
3	Spring	Stainless steel	
2	Button	PA66-GF	UL94V-0
1	Housing	PA66	UL94V-0
ITEM	NAME OF PART	MATERIAL	NOTES

REV	ECN	DESCRIPTION	DRFT	DATE

MATERIAL: /	SURFACE: /	
MAT NO.: /	宁波高松电子有限公司 NINGBO DEGSO ELECTRICAL CO., LTD	
STATUS: /		
APPD: Li GL 2020.03.27	NAME: DS2.5-QU-PE-01P-1C-00A(H)	
CHKD: Ma EK 2020.03.27	DRAWING NO.: DS2.5-QU-PE-C01	
DRFT: Huang Sh 2017.09.20	REV	D0-5
SIZE: A4 TYPE: CUSTOMER DRAWING SCALE: 1.5:1 SHEET 1/1		