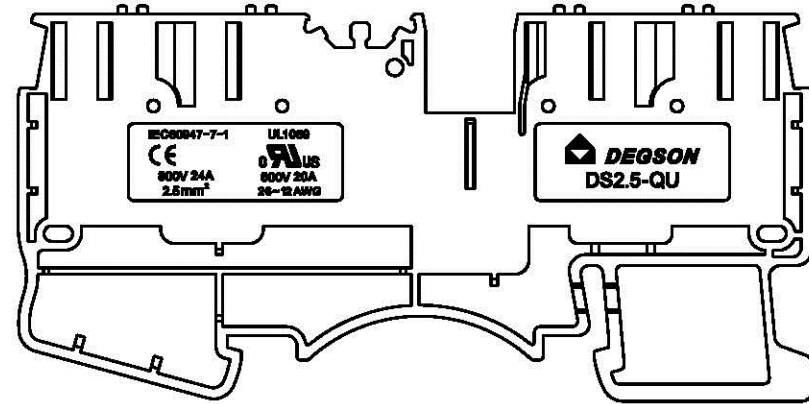
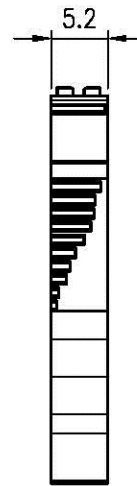
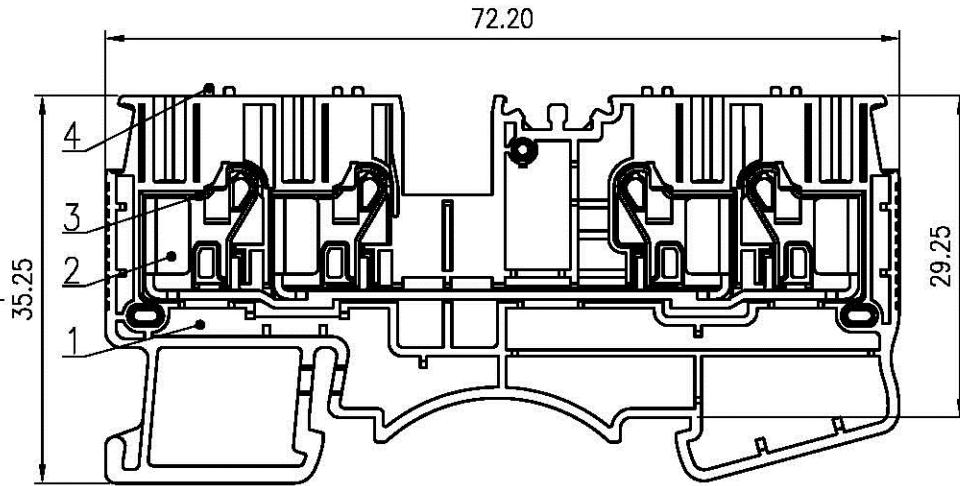
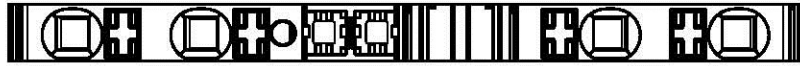


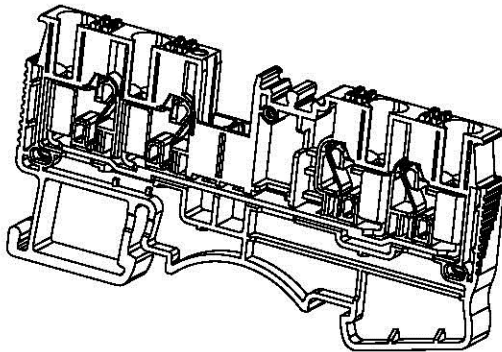
Transfer or duplication of this document as well as the utilization or communication of its contents are prohibited unless explicit authorization is granted. Violations will be liable for compensation. All rights reserved for patent, utility, model or design registrations. 除非经许可，否则不得复制或传播本文件内容。未经本公司明确授权，不得复制或传播本文件内容。本公司保留所有权利。

未注公差/General tolerances(mm)													
0	>3	>6	>10	>18	>30	>50	>80	>120	>180	>250	0.1/10 ±Z'		
~3	~6	~10	~18	~30	~50	~80	~120	~180	~250	~500			
±0.12	±0.18	±0.22	±0.26	±0.31	±0.37	±0.45	±0.57	±0.70	±0.93	±1.15	±1.60	±2.20	±2.50
JL 标准/UL Standard:										B	C	D	
额定电压/电流/Rated Voltage(V)/Current(A)										600/20	600/20	600/5	
EC 标准/IEC Standard:													
过压类别/Overvoltage Category/污染等级/Pollution Degree										III/3	III/2	II/2	
额定电压/电流/Rated Voltage(V)/Current(A)										800/24	/	/	
额定脉冲电压(KV)/Rate Impulse Voltage(KV)										8	/	/	
线径范围(硬线和软线)/Wire Range(rigid and flexible)(mm ² /AWG)										26~12/0.2~2.5,4(Sol)			
间距/Pitch(mm)/线数范围/Poles										5.2/01P			
剥线长度/Stripping length(mm)										10~12			
使用温度范围/Operating temperature(°C)										-40~+105			
符合RoHS环保要求/Conform to RoHS										Yes			



please refer to the 3D model, for those unmarked dimensions

DS2.5-QU-01P-1Y-00AH
 DS2.5-QU - series
 01P - no value
 1 - no value
 Y = 1 (grey color of housing)
 00AH - no value



4	Button	PA66+GF%	UL94V-0
3	Spring	Stainless steel	/
2	Current carrier	Copper	Sn plated
1	Housing	PA66	UL94V-0
ITEM	NAME OF PART	MATERIAL	NOTES

MATERIAL: Series DS2.5-OU		SURFACE: /	
MAT NO.: /	宁波高松电子有限公司 Ningbo Degson Electrical Co., Ltd.		
STATUS: /			
APPD: Li GL 2020.12.20	NAME: DS2.5-QU-01P-1Y-00A(H)		
CHKD: Ma EK 2020.12.20	DRAWING NO.: DS2.5-QU-C01		
DRFT: HuangSh 2020.07.04	TYPE: CUSTOMER DRAWING		SCALE: 1.5:1
REV	ECN	DESCRIPTION	DRFT
1	2	3	4
SIZE: A4		mm (inch)	SHEET 1/1

REV	ECN	DESCRIPTION	DRFT	DATE
1	2	3	4	5