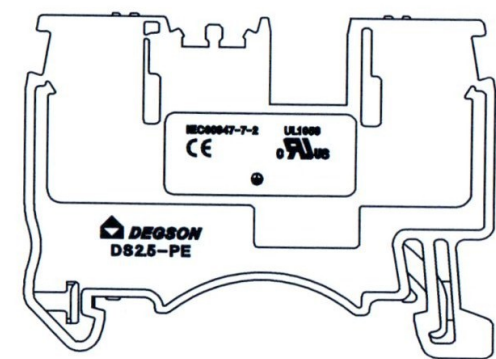
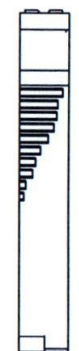
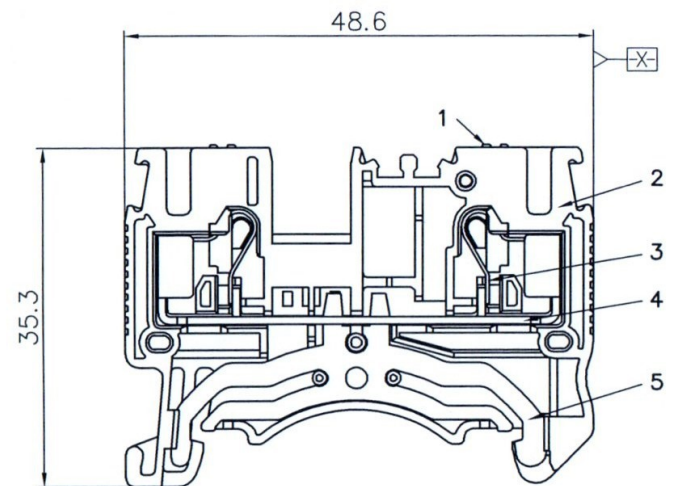
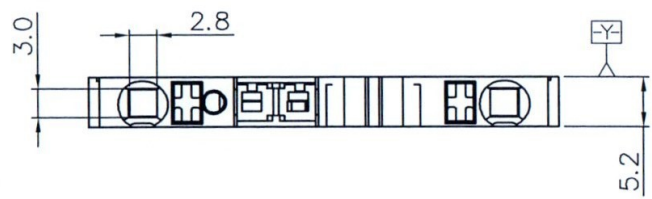


REVISION RECORD				
REV	ECN	DESCRIPTION	DRFT	DATE



仅供参考图  
 签字: *董贵A*  
 日期: 2016.06.16

**DS-2.5-PE-01P-1C-00AH (DS2.5-PE-01P-1C-00AH)**  
**DS-2.5-PE (DS2.5-PE) - series**  
**01P - no value**  
**1 - single-row**  
**C - color of housing (yellow-green color)**  
**00AH - no value**  
 Rated surge voltage 1000 volts

NOTES1:

UL Standard  
 1.Wire Range : 26~12AWG

IEC Standard

1. Pollution Degree	3
Overvoltage Category	III
Rate Impulse Voltage(KV)	8.0KV
Rate Voltage(V)	/
Rate Current(A)	/

2.Wire Range : 0.2~2.5mm<sup>2</sup>; sol: 4mm<sup>2</sup>

NOTES2:

- 1.Dimension shall be interpreted per ASME Y14.5-2009
- 2.Pitch : 5.2mm, Poles : N=01P
- 3.Stripping length : 10-12mm
- 4.Operating temperature: -40°C~+105°C
- 5.Undimensioned Tolerances:

Pitch Range In mm		Nominal Dimension Range In mm						
TO	Over TO	Over TO	Over TO	Over TO	Over TO	0.1/10		
6	10	24	30	60	100	150	<	
±0.15	±0.20	±0.30	±0.30	±0.50	±0.70	±1.00	±1.30	±2'

6.RoHS Compliance

ITEM	NAME OF PART	Q'TY	MATERIAL	NOTES
5	DS2.5-PE-00A Grounding	1	Phosphor Bronze	Sn plated
4	DS2.5-00A Current Carrier	1	Copper	Sn plated
3	DS2.5-00A Spring	2	Stainless steel	
2	DS2.5-PE-00A Housing	1	PA66	UL94V-0
1	DS2.5-00A Button	2	POM	UL94V-2

DETACHED LISTS	PART NO.: /		宁波高松电子有限公司 <b>DEGSON</b> ® NINGBO DEGSON ELECTRICAL CO., LTD	
	APPD: Alan 06/16/16"	NAME: DS2.5-PE-01P-1C-00A(H)		
	CHKD: Ding 2016.6.16	TITLE: CUSTOMER DRAWING		
	DRFT: ding 01/28/16"	DRAWING NO.: DS2.5-PE-C01	REV	DO-1
	THIRD ANGLE PROJECTION		MM (INCH)	DO NOT SCALE DRAWING

H  
G  
F  
E  
D  
C  
B  
A

H  
G  
F  
E  
D  
C  
B  
A