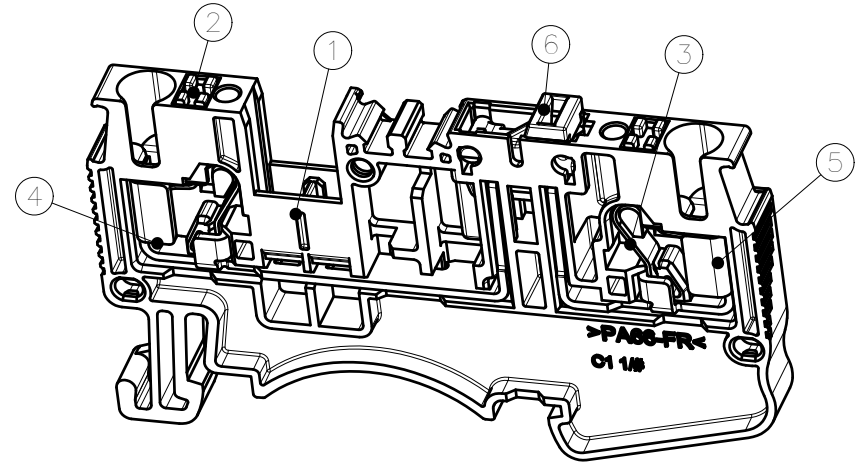
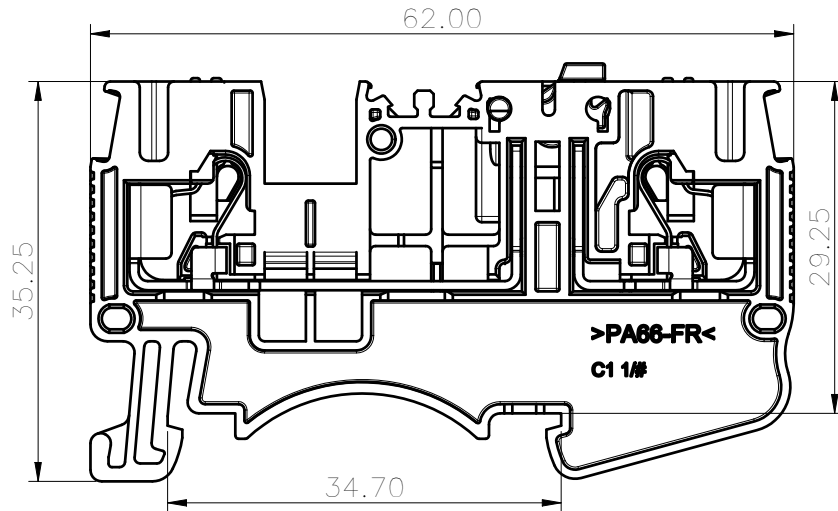
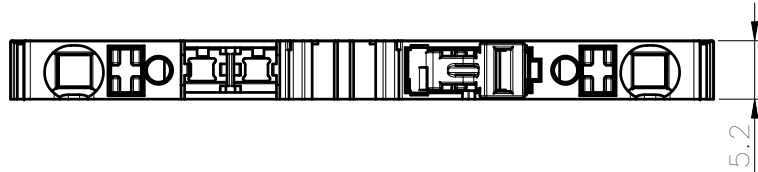
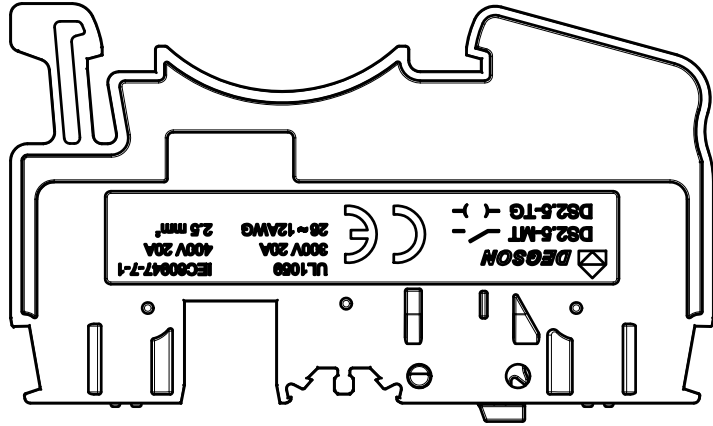


Transfer or duplication of this document as well as the utilization or communication of its contents are prohibited unless consent, authorization or specific measures will be taken for compensation. All rights reserved for patent, utility model or design registrations. 非经书面明确授权，否则禁止转让、复制、利用、交还本文件的内容。侵犯者将负法律责任。本公司保留对涉及发明、实用新型和外观设计的所有权利。



DS2.5-MT-01P-1Y-00AH
DS2.5 - series
MT - modification with disconnection pins
01P - no value
1 - single-row
Y - color of housing (1 - grey color, 2 - blue color)
00AH - no value

6	Knife Switch	/	/
5	Current carrier 2	Copper	Sn Plated
4	Current carrier 1	Copper	Sn Plated
3	Spring	Stainless steel	/
2	Button	PA66+GF%	UL94V-0
1	Housing	PA66	UL94V-0
ITEM	NAME OF PART	MATERIAL	NOTES

未注公差/General tolerances(mm)													
0	>3	>6	>10	>18	>30	>50	>80	>120	>180	>250	>315	>400	0.1/10
~3	~6	~10	~18	~30	~50	~80	~120	~180	~250	~315	~400	~500	
±0.12	±0.18	±0.22	±0.26	±0.31	±0.37	±0.57	±0.80	±0.93	±1.05	±1.15	±1.60	±2.20	±2.50

UL 标准/UL Standard:	B	C	D
额定电压/电流/Rated Voltage(V)/Current(A)	300V/20	300/20	600/5
EC 标准/IEC Standard:			
过压类别/Overvoltage Category/污染等级/Pollution Degree	III/3	III/2	II/2
额定电压/电流/Rated Voltage(V)/Current(A)	400/20	/	/
额定脉冲电压(KV)/Rate Impulse Voltage(KV)	6	/	/
线径范围(硬线和软线)/Wire Range(rigid and flexible)(AWG/mm²)	26~12/0.2~2.5&4(SOL)		
间距/Pitch(mm)/线数范围/Poles	5.2/N=01P		
剥线长度/Stripping length(mm)	10~12		
使用温度范围/Operating temperature(°C)	-40~+105		
符合 RoHS 环保要求/Conform to RoHS	Yes		
标准颜色编号/Standard color number: PANTONE / RAL	/		

DEGSON	
APPD: LiGL	2021.11.18
CHKD: MaEK	2021.11.18
DRFT: HuangS	2021.11.18

MATERIAL: /	SURFACE: /	
MAT NO./REV: /	MAT STATUS: /	
NAME		
NINGBO DEGSON ELECTRICAL CO., LTD.		
DS2.5-MT-01P-1Y-00A (H)		
DRAWING NO.	TYPE	DRAWING STATUS
/	CUSTOMER DRAWING	/
SCALE	SHEET	
1.5:1	1/1	

00	/	/	HuangS	2021.11.18
REV	ECN	DESCRIPTION	DRFT	DATE