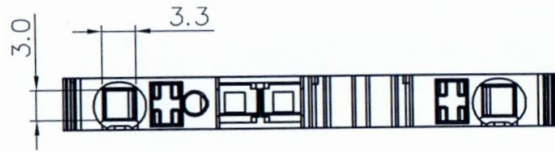
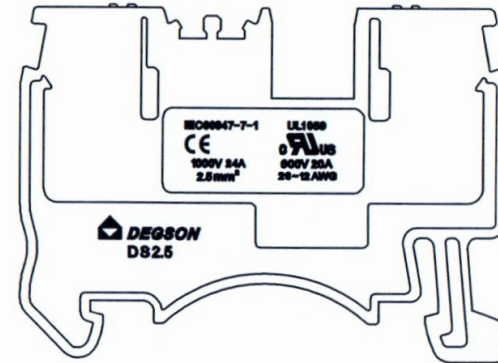
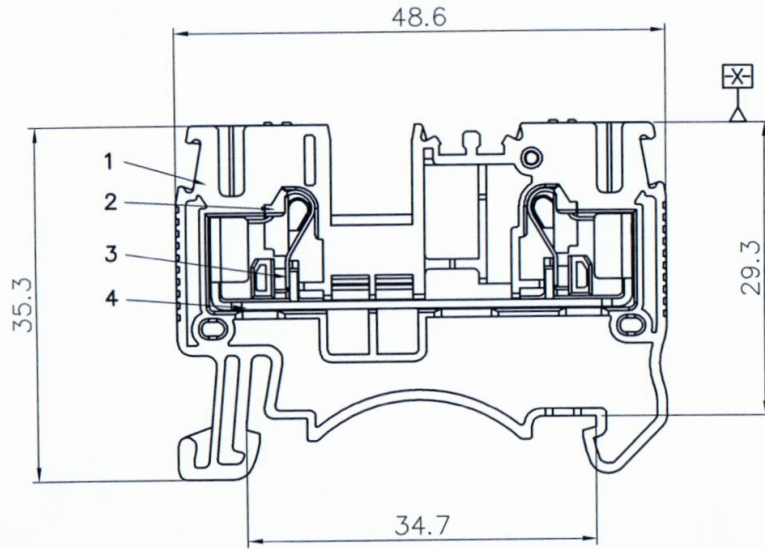


REVISION RECORD				
REV	ECN	DESCRIPTION	DRFT	DATE



仅供参考图
 签字: [Signature]
 日期: 2016.06.06.



DS2.5-01P-1Y-00AH
 DS2.5 - series
 01P - no value
 1 - no value
 Y = 1 (grey color of housing)
 00AH - no value

NOTES1:

- UL Standard
- 1.Rated Voltage/Current : 600V / 20A
- 2.Withstanding Voltage : AC2200V/1Min.
- 3.Wire Range : 26~12AWG

IEC Standard

1. Pollution Degree	3
Overvoltage Category	III
Rate Impulse Voltage(KV)	8.0KV
Rate Voltage(V)	1000V
Rate Current(A)	24A

2.Wire Range : 0.2~2.5mm²&4mm²(sol)

NOTES2:

- 1.Dimension shall be interpreted per ASME Y14.5-2009
- 2.Pitch : 5.1mm, Poles : N=01P
- 3.Stripping length : 10~12mm
- 4.Operating temperature: -40°C~+105°C
- 5.Undimensioned Tolerances:

Pitch Range In mm		Nominal Dimension Range In mm						±
TO	Over	TO	Over	TO	Over	TO	Over	
6	10	10	30	30	60	60	100	0.1/10
10	24	24	30	60	100	150	150	<
±0.15	±0.20	±0.30	±0.30	±0.50	±0.70	±1.00	±1.30	±2'

6.RoHS Compliance

ITEM	NAME OF PART	Q"TY	MATERIAL	NOTES
4	DS2.5-00A CURRENT CARRIER	1	COPPER	Sn plated
3	DS2.5-00A SPRING	2	POM	
2	DS2.5-00A BUTTON	2	POM	UL94V-2
1	DS2.5-00A HOUSING	1	PA66	UL94V-0

DETACHED LISTS	PART NO.: /	宁波高松电子有限公司 NINGBO DEGSON ELECTRICAL CO., LTD		
	APPD: Alan 06/16/16"	NAME: DS2.5-01P-1Y-00A(H)		
	CHKD: Dick 2016.6.16	TITLE: CUSTOMER DRAWING		
	DRFT: ding 04/14/16"	REV: DO-1		
THIRD ANGLE PROJECTION		DRAWING NO.: DS2.5-C01	SHEET: 1/1	SCALE: 1:1
		MM (INCH)	DO NOT SCALE DRAWING	SCALE: 1:1