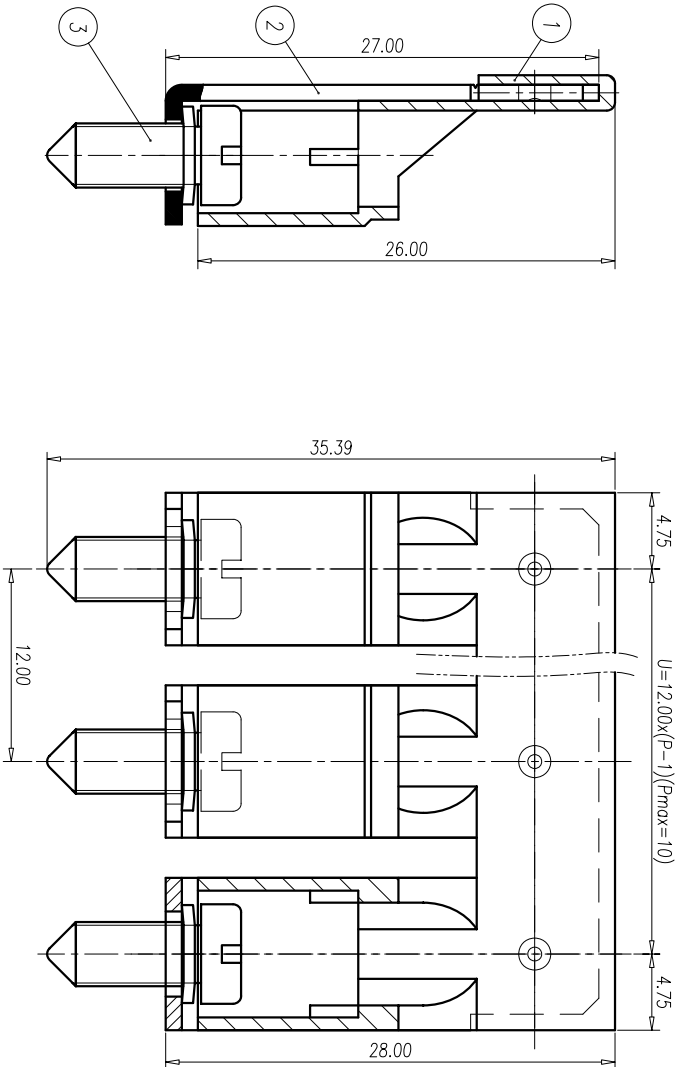


Normal Geometric Tolerancing		Tolerances	
Symbol	Value	Symbol	Value
0 to 100	0.2	0 to 10	0.2
over 100 to 150	0.3	over 10	0.3
over 150	0.5		0.5
Total Pitch Tolerances		Normal dimension Tolerances	
0<U<=30	±0.20	0~30	±0.25
30<U<=53	±0.25	over 30~53	±0.30
53<U<=70	±0.30	over 53~70	±0.35
70<U<=90	±0.35	over 70~90	±0.40
90<U<=115	±0.44	over 90~115	±0.55
115<U<=150	±0.55	over 115~150	±0.70
150<U<=200	±0.70	over 150~200	±0.85
200<U<=250	±0.85	over 200~250	±1.00
250<U<=320	±1.00	over 250~320	±1.20



NOTES:

1. Rating: 70A
PITCH: 12.00mm
2. Insulation Withstands Voltage:
AC 1500 V/MIN
3. Insulation Resistance:
500MΩ or more at DC500V
4. Using Temperature Range:
-40°C~+105°C
5. Screw Torque Value: 14kgf-cm (MAX)
6. RoHS Compliance

P	2	3	4	5	6	7	8	9	10
U	12.00	24.00	36.00	48.00	60.00	72.00	84.00	96.00	108.00
V	21.50	33.50	45.50	57.50	69.50	81.50	93.50	105.50	117.50

DWG.	Tao/Wu	DATE	09.12.23	UNITS	MM	SHEET/OF	1/1
CHK.		DATE		SCALE	3:1 (5:1)		
APP.		DATE					

REV.	CONTENT	CHK.	DATE	DINKLE ENTERPRISE CO., LTD	DWG NO.	SP-03-DS160000

DINKLE

DS16-XXP