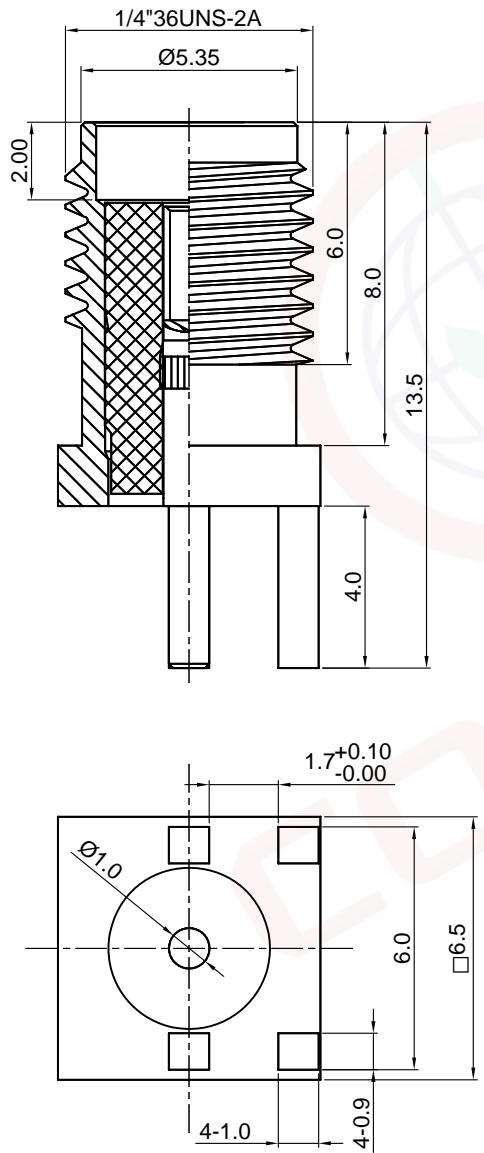


The information provided herein is from CONNPLY Electronic Co., Ltd. and is confidential. Any disclosure to a party other than the recipient is prohibited. The intellectual properties and its rights of CONNPLY Electronic Co., Ltd. are reserved. All rights are reserved. CONNPLY Electronic Co., Ltd. does not constitute authorization of its use in any format or manner. CONNPLY may enforce its intellectual property rights at its own discretion; failures or delays to exercise such rights does not constitute a waiver of such rights.

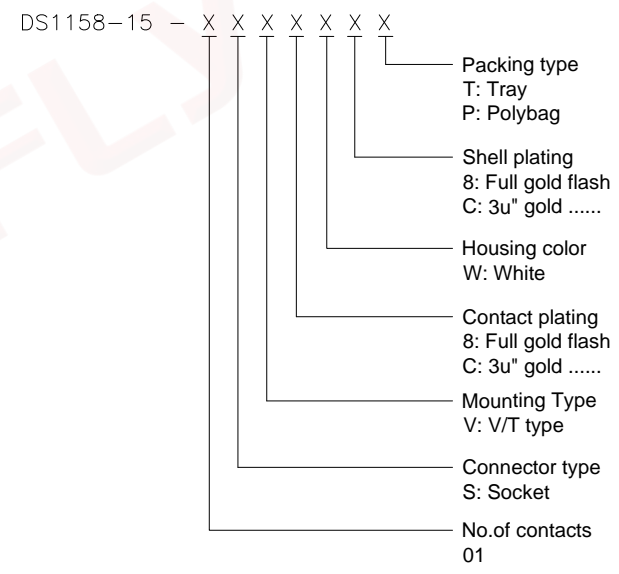


| GENERAL TOLERANCE | | ANGLE TOLERANCE | |
|-------------------|-------|-----------------|-----|
| X. | ±0.60 | X. | ±5° |
| .X | ±0.38 | .X | ±3° |
| .XX | ±0.25 | .XX | ±2° |

| DRAWING TYPE | CUSTOMER | | |
|--------------|------------------------|-------|--------|
| SCALE | 1:1 | SHEET | 1 OF 1 |
| DRAWING NO. | C-DS1158-15-01SV8W8T-A | | |

| REV. | DESCRIPTION | DRAWN | CHECKED | APPROVED |
|------|-------------|---------------|---------|----------|
| A | NEW RELEASE | JLZ 04/08/22' | | |
| | | | | |
| | | | | |

- Notes:
- Materials:
 - Contact: Copper Alloy, Full Gold Flash Plated.
 - Shell: Copper Alloy, Full Gold Flash Plated.
 - Insulator: PTFE, White.
 - Specifications:
 - Contact Resistance: 10mΩ max.
 - Insulation Resistance: 1000MΩ min.
 - Dielectric Withstanding Voltage: 1000V min.
 - Temperature Range: -40~+125°C.
 - Impedance: 50Ω.
 - Operating Cycles: 400 Cycles min.
 - Product Number Code:



| PROJECTION | TITLE |
|------------|-------------------------------|
| | SMA Female Connector Straddle |
| UNITS | Type L=13.5mm |
| SHEET SIZE | SERIES DS1158-15 SERIES |

晨翔电子有限公司
 CONNPLY ELECTRONIC CO., LTD