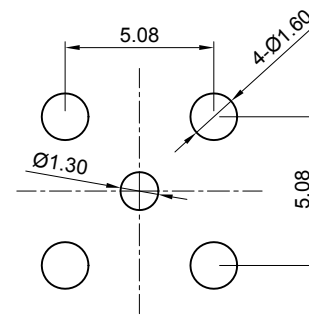
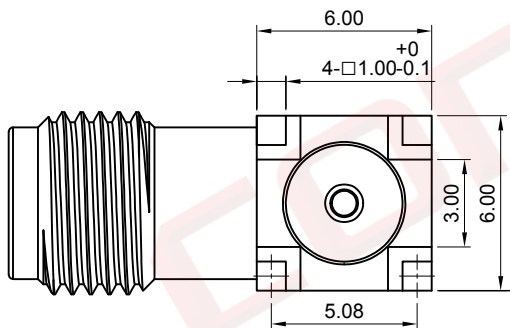
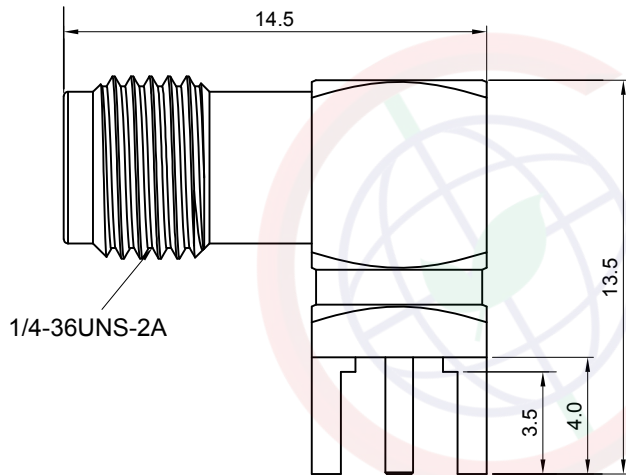


P/No.: DS1152-01-01SR8W8T-ELTECH-047

REV.	DESCRIPTION	DRAWN	CHECKED	APPROVED
A	NEW RELEASE	JLZ 11/03/21'		



Recommend PCB Layout
Tolerance=±0.05mm

Notes:

1.Materials:

- 1.1. Contact: Copper Alloy, Full Gold Flash Plated.
- 1.2. Shell: Copper Alloy, Full Gold Flash Plated.
- 1.3. Insulator: PTFE.

2.Specifications:

- 2.1. Contact Resistance: 20mΩ max.
- 2.2. Insulation Resistance: 5000MΩ min.
- 2.3. Dielectric Withstanding Voltage: 2500V min.
- 2.4. Temperature Range: -40~+200°C.
- 2.5. Impedance: 50Ω.
- 2.6. Operating Cycles: 400 Cycles min.

3.Packing Type: Tray.

The information provided herein is from CONNPLY Electronic Co., Ltd. and is confidential. Any disclosure to a party other than the recipient is prohibited. The intellectual properties and its rights of CONNPLY Electronic Co., Ltd. are reserved. All rights are reserved. CONNPLY Electronic Co., Ltd. does not constitute authorization of its use in any format or manner. CONNPLY may enforce its intellectual property rights at its own discretion; failures or delays to exercise such rights does not constitute a waiver of such rights.

GENERAL TOLERANCE		ANGLE TOLERANCE	
X.	±0.60	X.	±5°
.X	±0.38	.X	±3°
.XX	±0.25	.XX	±2°

DRAWING TYPE	CUSTOMER		
SCALE	1:1	SHEET	1 OF 1
DRAWING NO.	C-DS1152-01-01SR8W8T-ELTECH-047-A		

PROJECTION	TITLE	SMA Connector Socket Right Angle Type	
UNITS	mm		
SHEET SIZE	A4	SERIES	DS1152-01 SERIES

晨翔电子有限公司
CONNPLY ELECTRONIC CO., LTD