

P/No. : DS1152-01-01PS8V8R-ELTECH-046

REV.	DESCRIPTION	DRAWN	CHECKED	APPROVED
A	NEW RELEASE	JLZ 10/26/21'		

Notes:

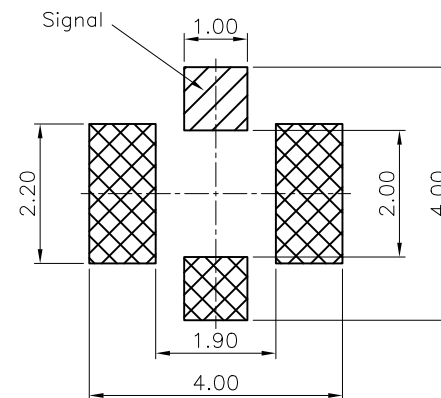
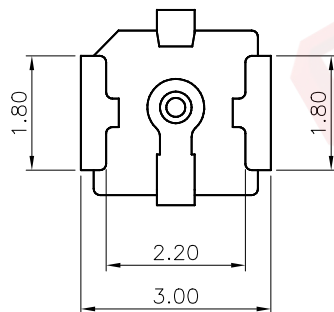
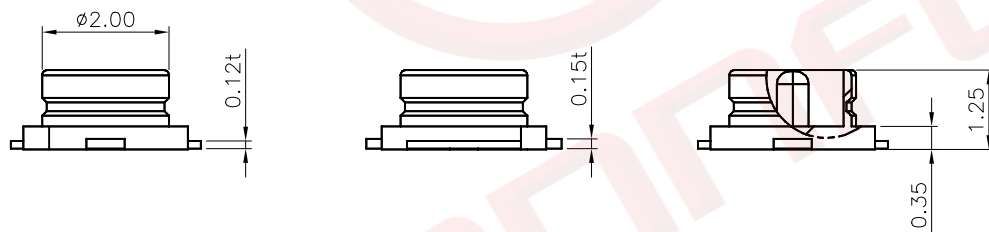
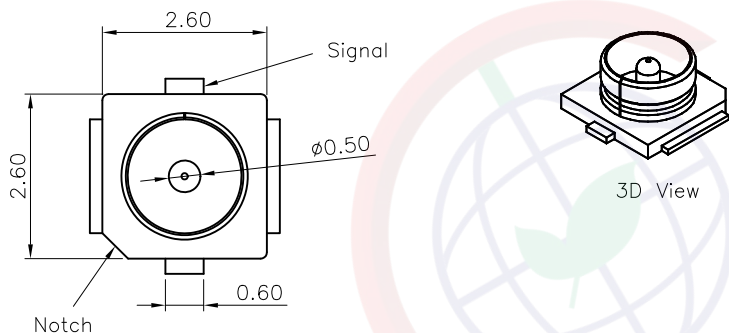
1.Materials:

- 1.1. Contact: Copper Alloy, Full Gold Flash Plated.
- 1.2. Pad: Copper Alloy, Full Gold Flash Plated.
- 1.3. Insulator: High Temp. Thermoplastic.

2.Specifications:

- 2.1. Contact Resistance: 20mΩ max.
- 2.2. Insulation Resistance: 1000MΩ min.
- 2.3. Dielectric Withstanding Voltage: 500V min.
- 2.4. Temperature Range: -40~+105°C.
- 2.5. Impedance: 50Ω.
- 2.6. Operating Cycles: 300 Cycles min.

3.Packing Type: Tape On Reel.



Recommend PCB Footprint Pattern
Tolerance=±0.05mm

GENERAL TOLERANCE		ANGLE TOLERANCE		PROJECTION		TITLE	UFL Connector Socket Vertical SMT Type H=1.25mm	
X.	±0.60	X.	±5°	UNITS	mm			
.X	±0.38	.X	±3°	SHEET SIZE	A4	SERIES	DS1152-01 SERIES	
.XX	±0.25	.XX	±2°	晨翔电子有限公司 CONNFLY CONNFLY ELECTRONIC CO. LTD				
DRAWING TYPE		CUSTOMER						
SCALE		1:1						
DRAWING NO.		C-DS1152-01-XXXXXX-A						

Dept Qty
 DC 1
 ED 1
 IE 1
 ISO 1
 PD 1
 R&D 1
 SD 1
 QA 1
 QC 1
 QF 1
 此图提供的信息来自宁波晨翔电子有限公司并且是保密的。禁止向收件人以外的任何一方披露信息。本文包含的知识产权及其权利(包括但不限于商标, 专利, 版权, 商业秘密) 密和技术知识) 仅由晨翔或其附属公司所有。未经晨翔事先书面同意, 严禁未经授权的使用或修改。 晨翔可以自行决定强制执行其知识产权; 不限行或延迟行使其权利并不构成对这些权利的放弃。

A
 B
 C
 D
 E
 F
 G
 H