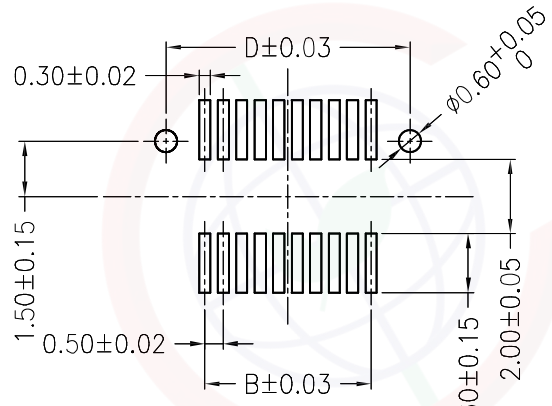
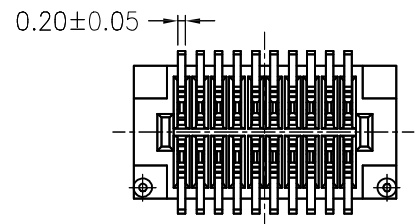
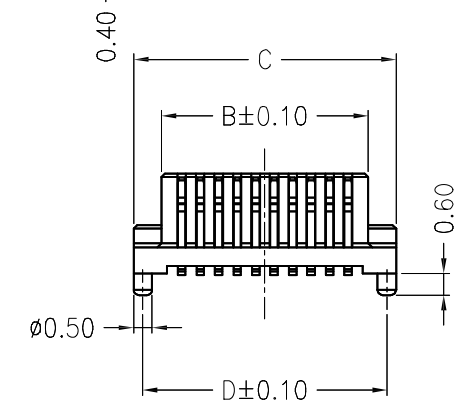
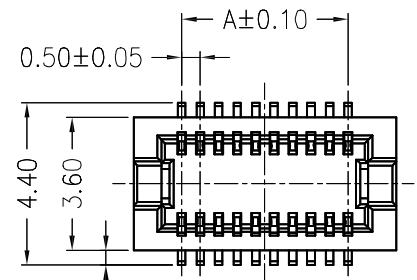
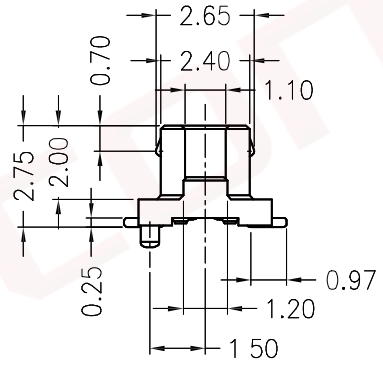


The information provided herein is from CONNELY Electronic Co., Ltd. and is confidential. Any disclosure to a party other than the recipient is prohibited. The intellectual properties and its rights contained herein, including but not limited to, trademarks, patents, copyrights, trade secrets, and technical know-how, are owned exclusively by CONNELY or its affiliates. Unauthorized use or reproduction of any part of this document is strictly prohibited. CONNELY may enforce its intellectual property rights at its own discretion, failures or delays to exercise such rights does not constitute a waiver of such rights.

Dept	Qty	CKT.	A	B	C	D
DC	1	10	2.00	3.10	4.60	4.10
ED	1	20	4.50	5.60	7.10	6.60
IE	1	30	7.00	8.10	9.60	9.10
ISO	1	36	8.50	9.60	11.10	10.60
PD	1	40	9.50	10.60	12.10	11.60
R&D	1	50	12.00	13.10	14.60	14.10
SD	1	60	14.50	15.60	17.10	16.60
QA	1	68	16.50	17.60	19.10	18.60
QC	1	70	17.00	18.10	19.60	19.10
QE	1	80	19.50	20.60	22.10	21.60



Recommend PCB layout
(Tolerance:±0.05)



REV.	DESCRIPTION	DRAWN	CHECKED	APPROVED
A	NEW RELEASE	JLZ 05/13/22'		

Notes:

Specifications:

1. Contact Resistance: 80mΩ Max.
2. Insulation Resistance: 800MΩ Min.
3. Dielectric Withstanding Voltage: 150V AC(rms) For 1 Minute.
4. Current Rating:0.5A/Pin.
5. Voltage Rating:60V AC rms.
6. Temperature: -40°C~+85°C.

Materials:

1. Contact Material: Copper Alloy.
2. Contact Plating: Gold Plating Over Nickel.
3. Insulator Material: HIGH-TEMP,Black,UL94-V0.

Product Number Code:

DS1151-27 - X X X X X X

- Packing Type
R:Tape On Reel
- Housing Color
B:Blask
- Contact Plating
8:Full Gold Flash
- Mounting Type
S:SMT Type
- Connector Type
P:Plug
- No.of Contacts
10~80

GENERAL TOLERANCE		ANGLE TOLERANCE	
X.	±0.60	X.	±5°
.X	±0.38	.X	±3°
.XX	±0.25	.XX	±2°

DRAWING TYPE	CUSTOMER		
SCALE	1:1	SHEET	1 OF 2
DRAWING NO.	C-DS1151-27-XXXXXX0-A		

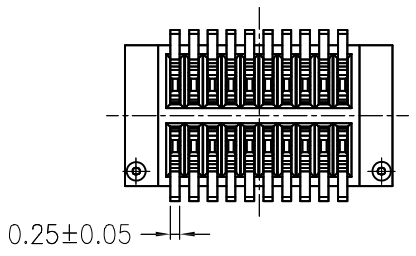
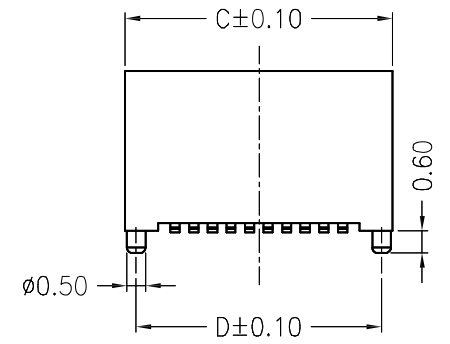
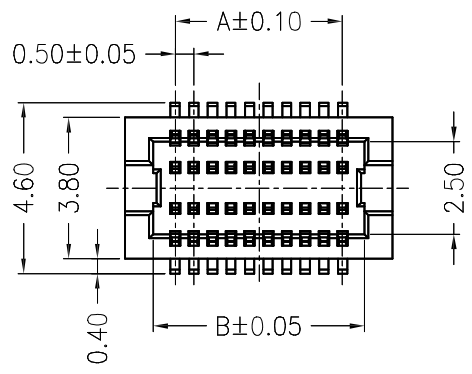
PROJECTION	TITLE
	0.50mm Board to Board Connector Single Groove SMT Type H=5.0mm(Plug)
UNITS	mm
SHEET SIZE	A4
SERIES	DS1151-27 SERIES

晨翔电子有限公司
 CONNFLY CONNFLY ELECTRONIC CO. LTD

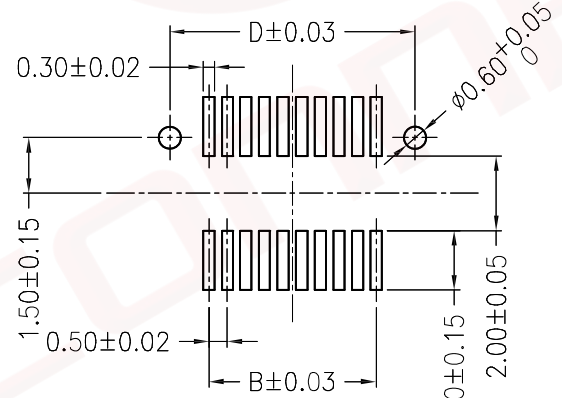
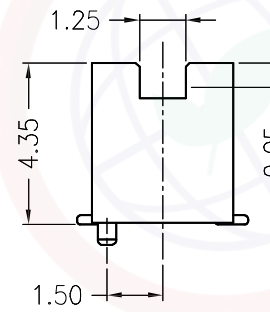
Dept	Qty
DC	1
ED	1
IE	1
ISO	1
PD	1
R&D	1
SD	1
QA	1
QC	1
QE	1

The information provided herein is from CONNELY Electronic Co., Ltd. and is confidential. Any disclosure to a party other than the recipient is prohibited. The intellectual properties and its rights contained herein, including but not limited to, trademarks, patents, copyrights, trade secrets, and technical know-how, are owned exclusively by CONNELY or its affiliates. Unauthorized use or reproduction of any part of this document is strictly prohibited. CONNELY may enforce its intellectual property rights at its own discretion, failures or delays to exercise such rights does not constitute a waiver of such rights.

REV.	DESCRIPTION	DRAWN	CHECKED	APPROVED
A	NEW RELEASE	JLZ 05/13/22'		



CKT.	A	B	C	D
10	2.00	3.20	4.70	4.10
20	4.50	5.70	7.20	6.60
30	7.00	8.20	9.70	9.10
36	8.50	9.70	11.20	10.60
40	9.50	10.70	12.20	11.60
50	12.00	13.20	14.70	14.10
60	14.50	15.70	17.20	16.60
68	16.50	17.70	19.20	18.60
70	17.00	18.20	19.70	19.10
80	19.50	20.70	22.20	21.60



Recommend PCB layout
(Tolerance:±0.05)

Notes:

Specifications:

1. Contact Resistance: 80mΩ Max.
2. Insulation Resistance: 800MΩ Min.
3. Dielectric Withstanding Voltage: 150V AC(rms) For 1 Minute.
4. Current Rating:0.5A/Pin.
5. Voltage Rating:60V AC rms.
6. Temperature: -40°C~+85°C.

Materials:

1. Contact Material: Copper Alloy.
2. Contact Plating: Gold Plating Over Nickel.
3. Insulator Material: HIGH-TEMP,Black,UL94-V0.

Product Number Code:

DS1151-27 - X X X X X X

- Packing Type
R:Tape On Reel
- Housing Color
B:Blask
- Contact Plating
8:Full Gold Flash
- Mounting Type
S:SMT Type
- Connector Type
S:Socket
- No.of Contacts
10~80

GENERAL TOLERANCE		ANGLE TOLERANCE	
X.	±0.60	X.	±5°
.X	±0.38	.X	±3°
.XX	±0.25	.XX	±2°
DRAWING TYPE	CUSTOMER		
SCALE	1:1	SHEET	2 OF 2
DRAWING NO.	C-DS1151-27-XXXXXXX0-A		

PROJECTION	TITLE
	0.50mm Board to Board Connector Single Groove SMT Type H=5.0mm(Socket)
UNITS	mm
SHEET SIZE	A4
SERIES	DS1151-27 SERIES

晨翔电子有限公司
CONNFLY CONNFLY ELECTRONIC CO. LTD