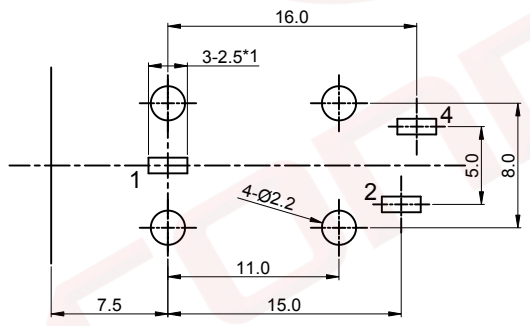
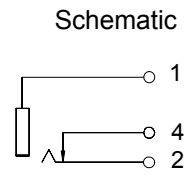
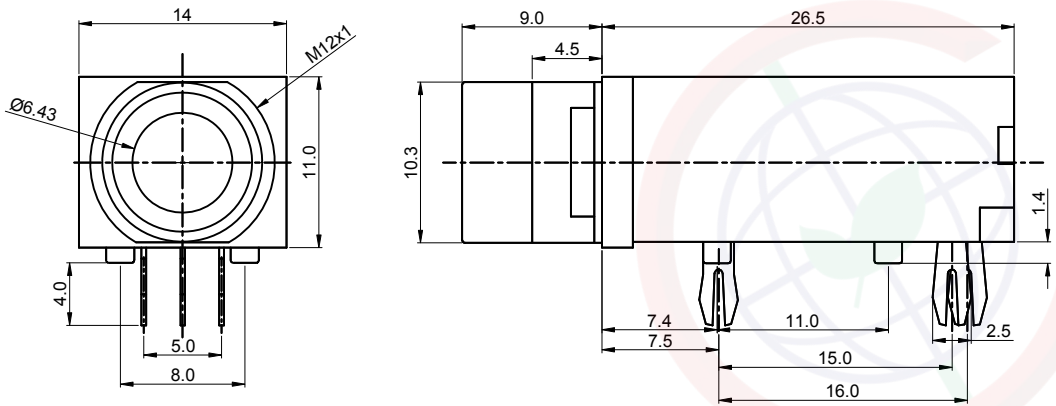


The information provided herein is from CONNELY Electronic Co., Ltd. and is confidential. Any disclosure to a party other than the recipient is prohibited. The intellectual properties and its rights contained herein, including but not limited to, trademarks, patents, copyrights, trade secrets, and technical know-how, are owned exclusively by CONNELY or its affiliates. Unauthorized use or reproduction of any part of this document is strictly prohibited. CONNELY may enforce its intellectual property rights at its own discretion, failures or delays to exercise such rights does not constitute a waiver of such rights.

REV.	DESCRIPTION	DRAWN	CHECKED	APPROVED
A	NEW RELEASE	JLZ 10/27/23'		



Recommend PCB Layout  
Tolerance:±0.1

- Notes:
- Specifications:
- 1.Current Rating: 1A .
  - 2.Voltage Rating: 30V DC.
  - 3.Contact Resistance: 30mΩ Max.
  - 4.Insulation Resistance: 100MΩ @ 500V DC Min.
  - 5.Dielectric Withstanding Voltage: 500V AC/DC Min.
  - 6.Durability: 5,000 Cycles Min.
  - 7.Temperature Range: -25°C~+70°C.
- Product Number Code:
- DS1150-08 - X X X X X X
- Packing type  
P: Polybag
  - Housing color  
B: Black
  - Contact plating  
Y: Silver
  - Mounting type  
R: R/A type
  - Connector type  
S: Jack
  - No. of contacts  
3

Item	Part Name	Q'ty	Materials	Finished
6	Sheathing	1	Brass	Ni
5	Cover	1	PBT	Red
4	Contact 4	1	Brass	Ag
3	Contact 2	1	Phosphor Bronze	Ag
2	Contact 1	1	Phosphor Bronze	Ag
1	Housing	1	PBT	Black

GENERAL TOLERANCE		ANGLE TOLERANCE	
X.	±0.60	X.	±5°
.X	±0.38	.X	±3°
.XX	±0.25	.XX	±2°

DRAWING TYPE	CUSTOMER		
SCALE	1:1	SHEET	1 OF 1
DRAWING NO.	C-DS1150-08-XXXXXX-A		

PROJECTION	TITLE
	6.35mm Audio Jack
UNITS	mm
SHEET SIZE	A4
SERIES	DS1150-08 SERIES

**晨翔电子有限公司**  
CONNELY ELECTRONIC CO. LTD