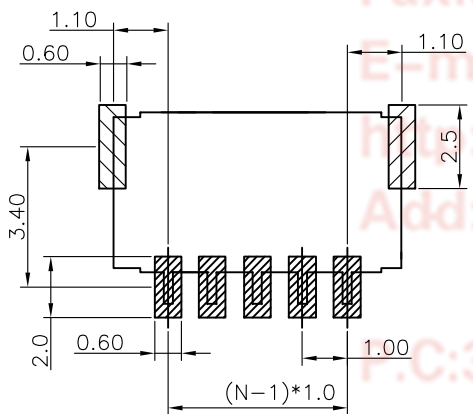
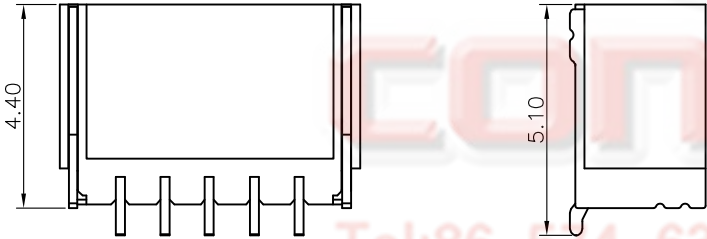
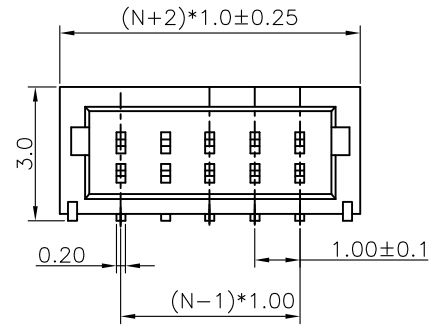


The information provided herein is from CONNELY Electronic Co., Ltd. and is confidential. Any disclosure to a party other than the recipient is prohibited. The intellectual properties and its rights contained herein, including but not limited to, trademarks, patents, copyrights, trade secrets, and technical know-how, are owned exclusively by CONNELY or its affiliates. Unauthorized use of this information in any format or manner. CONNELY may enforce its intellectual property rights at its own discretion; failures or delays to exercise such rights does not constitute a waiver of such rights.

1 2 3 4 5 6 7 8

REV.	DESCRIPTION	DRAWN	CHECKED	APPROVED
A	NEW RELEASE	JLZ 08/11/16'		LJC 08/11/16'
B	DRAWING UPDATE	JLZ 08/04/18'		



RECOMMEND PCB LAYOUT(TOLERANCE=±0.05)

NOTES:

1. MATERIAL
 - 1.1 INSULATOR:THERMOPLASTIC(UL 94V-0).
 - 1.2 CONTACT: COPPER ALLOY.
2. SPECIFICATION
 - 2.1 TEMPERATURE RANGE:-40~+85°C.
 - 2.2 CONTACT RESISTANCE:20mΩ max.
 - 2.3 INSULATION RESISTANCE:500MΩ min.
 - 2.4 DIELECTRIC WITHSTANDING VOLTAGE:AC 250V PER MINUTE.
3. PRODUCT NUMBER CODE:
 DS1147-01- X X X X X X
 - PACKING TYPE
B: TUBE
R: TAPE ON REEL
 - CONTACT PLATING
6: TIN
 - HOUSING COLOR
V:IVORY
 - MOUNTING TYPE
R: R/A TYPE
 - CONNECTOR TYPE
M: MALE
 - No. OF CONTACTS
02~20

Tel:86-574-63508787
 Fax:86-574-63510817
 E-mail:sale@connfly.com
 http://www.connfly.com
 Add:East Industry Zone KuangYan
 Town Cixi Ningbo China
 P.C:315333

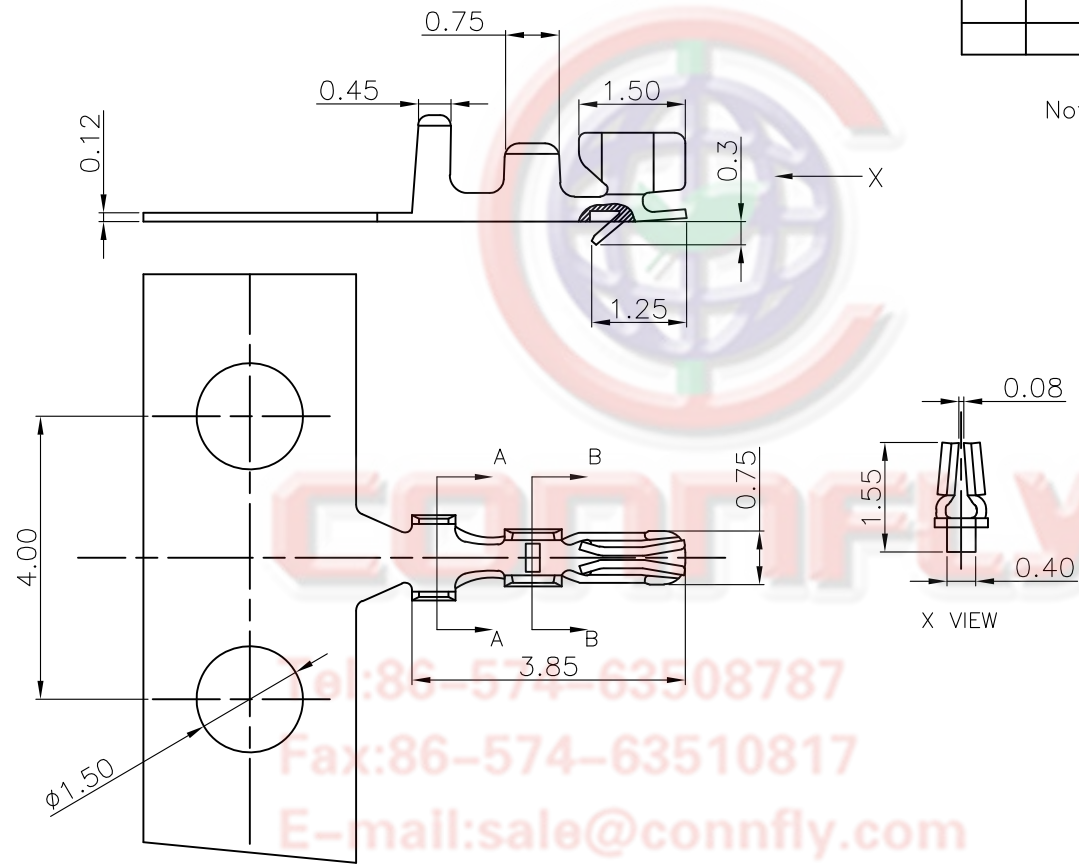
GENERAL TOLERANCE		ANGLE TOLERANCE		PROJECTION		TITLE	1.00mm WAFER CONNECTOR R/A SMT TYPE
X.	±0.60	X.	±5°	UNITS	mm	SHEET SIZE	A4
.X	±0.38	.X	±3°	SHEET SIZE	A4	SERIES	DS1147-01 SERIES
.XX	±0.25	.XX	±2°	晨翔电子有限公司 CONNFLY CONNELY ELECTRONIC CO. LTD			
DRAWING TYPE		CUSTOMER					
SCALE		1:1 SHEET 1 OF 1					
DRAWING NO.		C-DS1147-01-XXXXXX-B					

1 2 3 4 5 6 7 8

The information provided herein is from CONNELY Electronic Co., Ltd. and is confidential. Any disclosure to a party other than the recipient is prohibited. The intellectual properties and its rights contained herein, including but not limited to, trademarks, patents, copyrights, trade secrets, and technical know-how, are owned exclusively by CONNELY or its affiliates. Unauthorized use of this information in any format or manner. CONNELY may enforce its intellectual property rights at its own discretion; failures or delays to exercise such rights does not constitute a waiver of such rights.

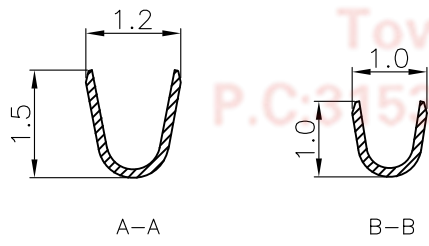
1 2 3 4 5 6 7 8

REV.	DESCRIPTION	DRAWN	CHECKED	APPROVED
A	NEW RELEASE	JLZ 08/11/16'		LJC 08/11/16'
B	DRAWING UPDATE	JLZ 08/04/18'		



Notes:

1. Materials: Copper Alloy, Thickness 0.12mm.
2. Plating: Tin
3. Part Number Code:
T - DS1147-01 - S C X 0 0
Plating Type
6: Tin



GENERAL TOLERANCE		ANGLE TOLERANCE		PROJECTION		TITLE
X.	±0.60	X.	±5°	UNITS	mm	1.00mm Female Terminal
.X	±0.38	.X	±3°	SHEET SIZE	A4	SERIES DS1147-01 SERIES
.XX	±0.25	.XX	±2°	晨翔电子有限公司 CONNFLY CONNELY ELECTRONIC CO. LTD		
DRAWING TYPE		CUSTOMER				
SCALE		1:1	SHEET 1 OF 1			
DRAWING NO.		T-DS1147-01-SCX00-B				

1 2 3 4 5 6 7 8

