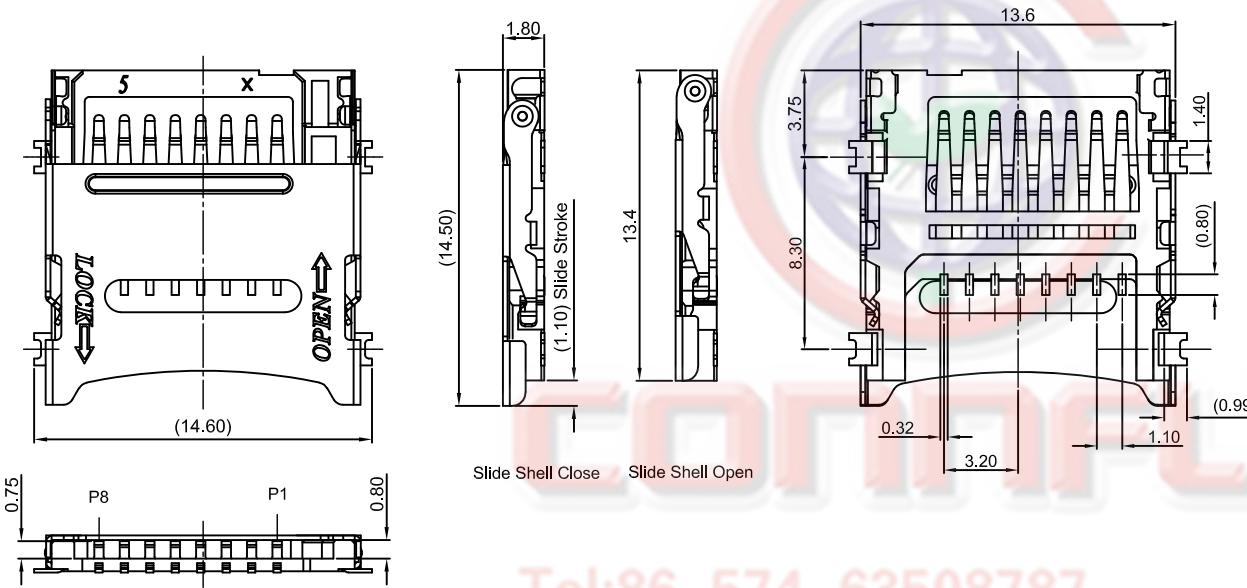


Dept
Qty
DC 1
ED 1
IE 1
ISO 1
PD 1
R&D 1
SD 1
QA 1
QC 1
QE 1

The information provided herein is from CONNELY Electronic Co., Ltd. and is confidential. Any disclosure to a party other than the recipient is prohibited. The intellectual properties and its rights contained herein, including but not limited to, trademarks, patents, copyrights, trade secrets, and technical know-how, are owned exclusively by CONNELY or its affiliates. Unauthorized use of this information in any format or manner. CONNELY may enforce its intellectual property rights at its own discretion; failures or delays in exercising such rights does not constitute a waiver of such rights.

1 2 3 4 5 6 7 8

REV.	DESCRIPTION	DRAWN	CHECKED	APPROVED
A	NEW RELEASE	JLZ 10/10/14'		LJC 10/10/14'
B	DRAWING UPDATE	JLZ 05/03/17'	HZW 05/03/17'	LJC 05/03/17'
C	DRAWING UPDATE	JLZ 11/09/18'	HZW 11/09/18'	LJC 11/09/18'
D	DRAWING UPDATE	JLZ 09/24/19'		



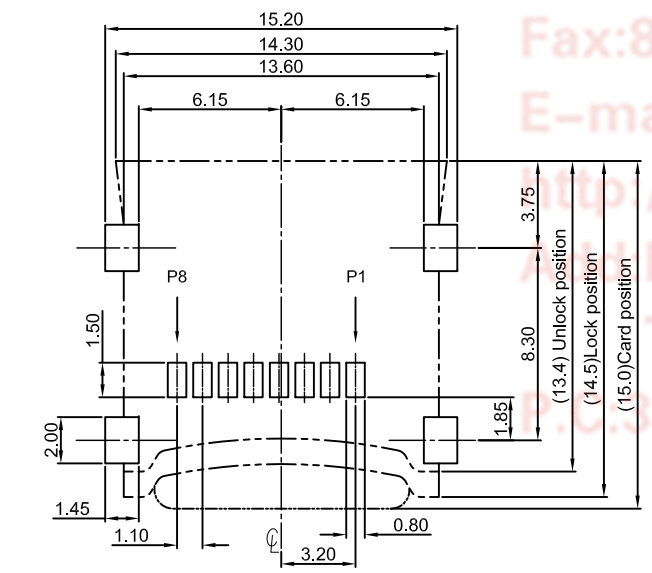
Notes:

- Material:
 - Housing: High Temperature, UL94V-0
 - Contacts: Copper Alloy.
 - Stator: Copper Alloy.
 - Shell: Stainless Steel.
- Specifications:
 - Operate Temperature: -20° C~+85° C
 - Insulation Resistance: 100MQ Min.
 - Contact Resistance: 100mΩ max.
 - Withstanding Voltage: 100V AC 1min.
 - Operating Voltage: 30V AC/DC.
 - Current Rating: 0.5A

3.Product Number Code:
DS1139-06 - XX X X X X X X

- Packing Type
R: Tape On Reel
- Shell Plating
S: Stainless
- Housing color
B: Black
- Contact Plating
0: Selective gold flash
4: Selective 3u" gold
J: Selective 5u" gold
1: Selective 10u" gold
- Mounting type
S: SMT type
- Connector type
S: Socket
- No. of contacts
08:08pin

F
F
G
H



RECOMMENDED PCB LAYOUT
TOLERANCES:±0.05

PIN 8	DAT1
PIN 7	DAT0
PIN 6	VSS
PIN 5	GLK
PIN 4	VDD
PIN 3	CMD
PIN 2	CD/DAT3
PIN 1	DAT2
PIN NO.	PIN ASSIGNMENT

Tel:86-574-63508787
Fax:86-574-63508787
E-mail:sale@connely.com
http://www.connely.com
East Industry Zone KuangYan
Town Cixi Ningbo China
15333

GENERAL TOLERANCE		ANGLE TOLERANCE		PROJECTION	TITLE	
X.	±0.60	X.	±5°		Micro SD Card H=1.8mm SMT Type	
.X	±0.38	.X	±3°	mm		
.XX	±0.25	.XX	±2°	A4		
DRAWING TYPE				CUSTOMER	SHEET	1 OF 1
SCALE				1:1	SERIES DS1139-06 SERIES	
DRAWING NO.				C-DS1139-06-XXXXXXX-D		

晨翔电子有限公司
CONNELY CONNELY ELECTRONIC CO. LTD

1 2 3 4 5 6 7 8