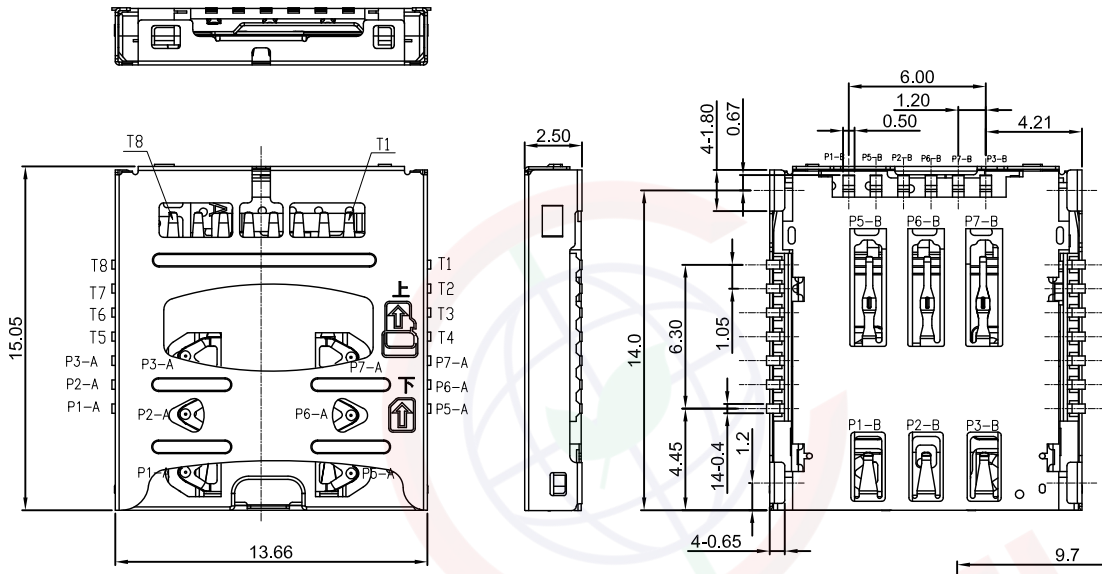


Dept	1	2	3	4	5	6	7	8
Qty								
DC	1							
ED	1							
IE	1							
ISO	1							
PD	1							
R&D	1							
SD	1							
QA	1							
QC	1							
QE	1							

REV.	DESCRIPTION	DRAWN	CHECKED	APPROVED
A	NEW RELEASE	JLZ 11/20/23'		

The information provided herein is from CONNPLY Electronic Co., Ltd. and is confidential. Any disclosure to a party other than the recipient is prohibited. The intellectual properties and its rights contained herein, including but not limited to, trademarks, patents, copyrights, trade secrets, and technical know-how, are owned exclusively by CONNPLY or its affiliates. Unauthorized use or reproduction of this document in any format or manner, CONNPLY may enforce its intellectual property rights at its own discretion; failures or delays to exercise such rights does not constitute a waiver of such rights.



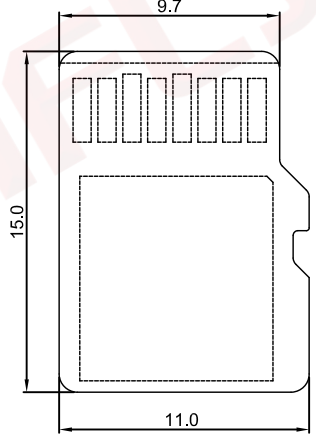
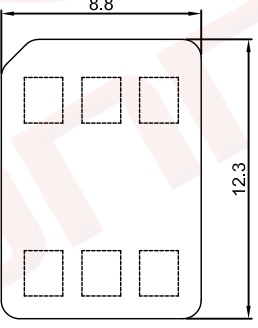
- Notes:
- Material:
    - 1.1. Housing: High Temp., UL 94V-0 Color of Black.
    - 1.2. Contacts: Copper Alloy.
    - 1.3. Shell: Stainless Steel.
  - Finish:
    - 2.1. Contact Area: Gold Over Nickel
    - 2.2. Solder Area: Gold flash.
  - Specifications:
    - 3.1. Temperature Rated: -25°C TO +70°C
    - 3.2. Contact Resistance: 100mΩ Max.
    - 3.3. Insulation Resistance: 100MΩ Min.
    - 3.4. Withstanding Voltage : 250V AC.
    - 3.5. Current Rating: 0.5A.
    - 3.6. Voltage Rating: 30V.
  - Product Number Code:

DS1138-30 - XX X X X X X X

- Packing Type  
R: Tape On Reel
- Shell Plating  
S: Stainless
- Housing Color  
B: Black
- Contact Plating  
8: Gold flash
- Mounting Type  
S: SMT type
- Connector Type  
S: Socket
- NO. Of Contacts  
20:6+14Pin

T-CARD P/N	PIN NAME
T1	DAT2
T2	CD/DAT3
T3	CMD
T4	VDD
T5	CLK
T6	VSS
T7	DAT0
T8	DAT1

NANO SIM P/N	PIN NAME
P1 A/B	VCC
P2 A/B	RST
P3 A/B	CLK
P5 A/B	GND
P6 A/B	VPP
P7 A/B	I/O



GENERAL TOLERANCE		ANGLE TOLERANCE	
X.	±0.60	X.	±5°
.X	±0.38	.X	±3°
.XX	±0.25	.XX	±2°
DRAWING TYPE	CUSTOMER		
SCALE	1:1	SHEET	1 OF 2
DRAWING NO.	C-DS1138-30-XXXXXXX-A		

PROJECTION		TITLE	Nano Sim+T-flash Card Choice 2
UNITS	mm		of 3 Type H=2.5mm
SHEET SIZE	A4	SERIES	DS1138-30 SERIES

**晨翔电子有限公司**  
**CONNPLY CONNPLY ELECTRONIC CO. LTD**

