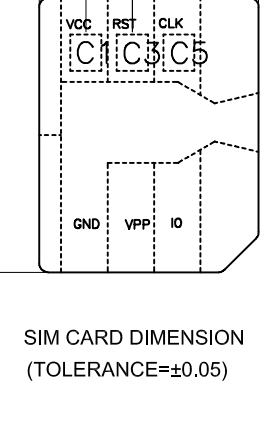
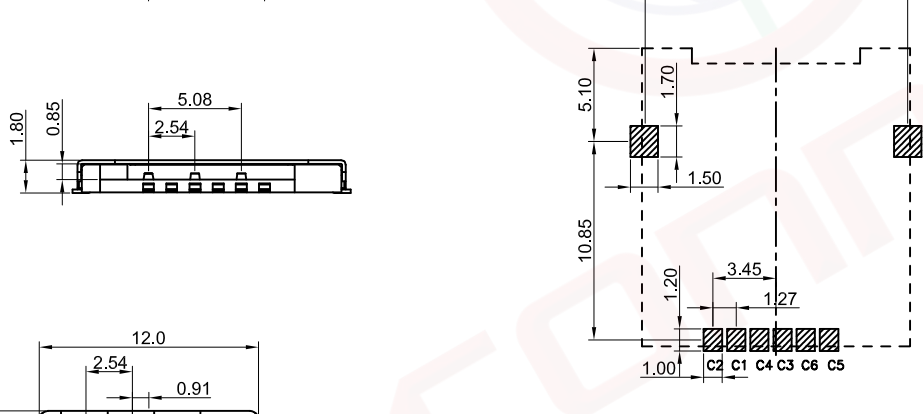
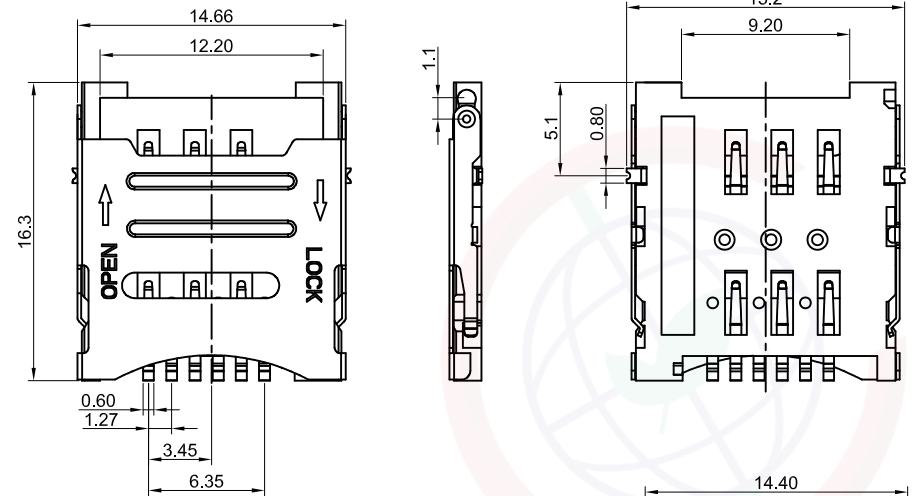


The information provided herein is from CONNELY Electronic Co., Ltd. and is confidential. Any disclosure to a party other than the recipient is prohibited. The intellectual properties and its rights contained herein, including but not limited to, trademarks, patents, copyrights, trade secrets, and technical know-how, are owned exclusively by CONNELY or its affiliates. Unauthorized use of this information in any format or manner. CONNELY may enforce its intellectual property rights at its own discretion; failures or delays to exercise such rights does not constitute a waiver of such rights.

1 2 3 4 5 6 7 8

Dept	Qty
DC	1
ED	1
IE	1
ISO	1
PD	1
R&D	1
SD	1
QA	1
QC	1
QE	1

REV.	DESCRIPTION	DRAWN	CHECKED	APPROVED
A	NEW RELEASE	JLZ 10/23/19'		



PIN NO.	PIN NAME
C1	VCC
C2	GND
C3	RST
C4	VPP
C5	CLK
P6	I/O

RECOMMEND PCB LAYOUT
(TOLERANCE=±0.05)

- Notes:
- Material:
 - Housing: High Temp., UL 94V-0 Color of Black.
 - Contacts: Copper Alloy.
 - Shell: Stainless Steel.
 - Finish:
 - Contact Area: Gold Over Nickel
 - Solder Area: Matte Tin.
 - Specifications:
 - Temperature Rated: -40°C TO +85°C
 - Contact Resistance: 100mΩ Max.
 - Insulation Resistance: 1000MΩ Min.
 - Withstanding Voltage : 500V AC.
 - Current Rating: 1A.
 - Voltage Rating: 30V.
 - Product Number Code:

DS1138-18 - XX X X X X X X

- Packing Type
- R: Tape On Reel
- Shell Plating
- S: Stainless
- Housing Color
- B: Black
- Contact Plating
- 0: Selective gold flash
- 4: Selective 3u" gold
- Mounting Type
- S: SMT type
- Connector Type
- S: Socket
- NO. Of Contacts
- 06:6Pin

GENERAL TOLERANCE		ANGLE TOLERANCE		PROJECTION		TITLE	Micro SIM Card 6P H=1.8mm
X.	±0.60	X.	±5°	UNITS	mm	SMT Type	
.X	±0.38	.X	±3°	SHEET SIZE	A4	SERIES	DS1138-18 SERIES
.XX	±0.25	.XX	±2°	晨翔电子有限公司 CONNELY CONNELY ELECTRONIC CO. LTD			
DRAWING TYPE		CUSTOMER					
SCALE		1:1 SHEET 1 OF 1					
DRAWING NO.		C-DS1138-18-XXXXXXX-A					

1 2 3 4 5 6 7 8