

REV.	DESCRIPTION	DRAWN	CHECKED	APPROVED
A	NEW RELEASE	JLZ 10/10/14'		

Notes:

1.Material:

- 1.1. Housing: High Temperature LCP UL 94V-0, Color of Black
- 1.2. Contact: Copper Alloy
- 1.3. Shell: Stainless Steel

2.Finish:

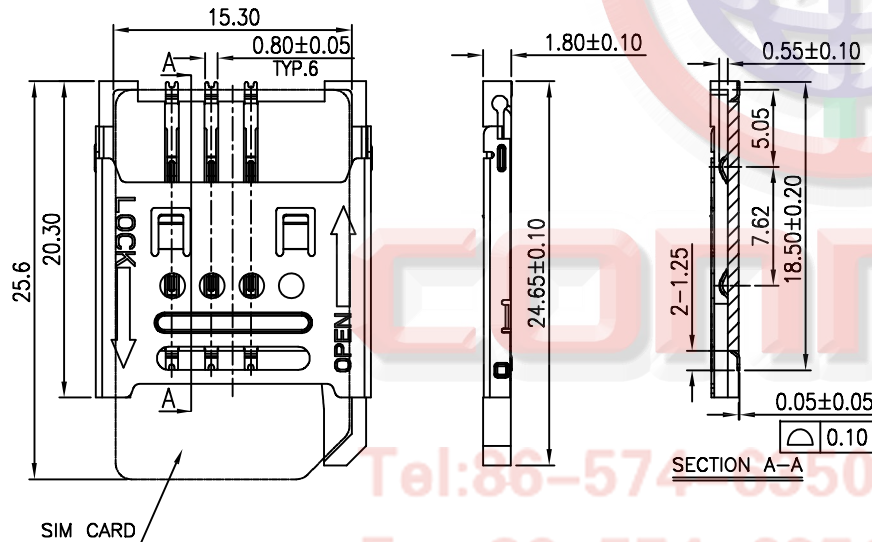
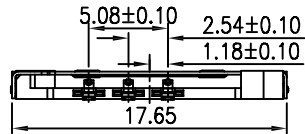
- 2.1. Contact Area: Gold over Nickel
- 2.2. Solder Area: Matte Tin.

3.Speciality: :

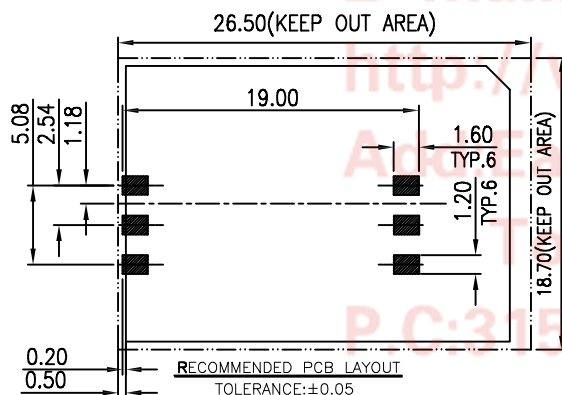
- 3.1. Current Rating: 1.0A
  - 3.2. Voltage Rating: 30V AC/DC
  - 3.3. Contact Resistance: 50MΩ Max.
  - 3.4. Insulation Resistance: 1000MΩ Min.
  - 3.5. Withstanding Voltage: 500V AC.
  - 3.6. Temperature Rated: -40° C TO +105° C,
4. Product Number Code:

DS1138-06 - XX X X X X X X

- Packing Type  
R: Tape On Reel
- Shell Plating  
S: Stainless
- Housing Color  
B: Black
- Contact Plating  
4: Selective 3u" gold
- Mounting Type  
S: SMT type
- Connector Type  
S: Socket
- NO. Of Contacts  
06:6Pin



SECTION A-A



GENERAL TOLERANCE		ANGLE TOLERANCE	
X.	±0.60	X.	±5°
.X	±0.38	.X	±3°
.XX	±0.25	.XX	±2°

PROJECTION	TITLE
UNITS	mm
SHEET SIZE	A4

2.54mm SIM Card H=1.8mm  
6 Positions SMT Type

SERIES	DS1138-06 SERIES
--------	------------------

DRAWING TYPE	CUSTOMER
SCALE	1:1 SHEET 1 OF 1
DRAWING NO.	C-DS1138-06-XXXXXXX-A



CONNFLY®

晨翔电子有限公司

CONNFLY ELECTRONIC CO., LTD

Tel:86-574-63508787  
 Fax:86-574-63510817  
 E-mail:sale@connfly.com  
 http://www.connfly.com  
 Address: East Industry Zone KuangYan  
 Town Cixi Ningbo China  
 P.C:315333