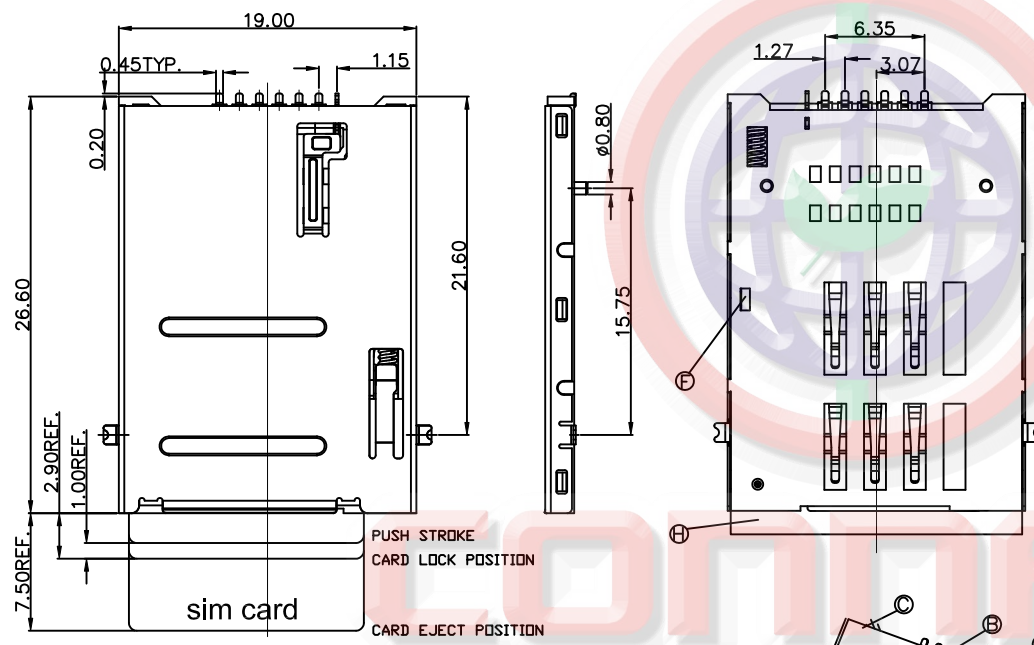


REV.	DESCRIPTION	DRAWN	CHECKED	APPROVED
A	NEW RELEASE	JLZ 10/07/14'		LJC 10/07/14'
B	DRAWING UPDATE	JLZ 11/04/16'		

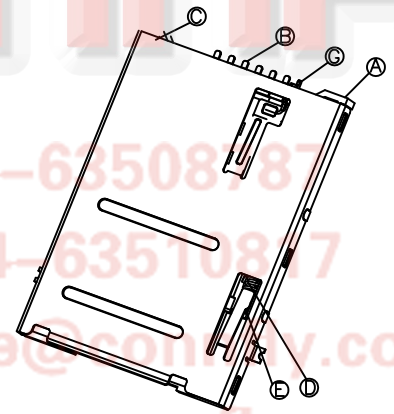
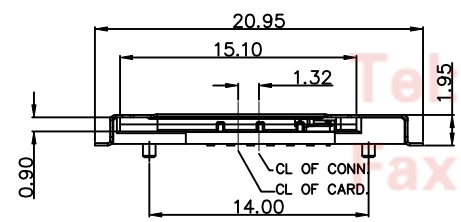


Notes:

- Material:
  - Housing: High Temperature, UL 94V-0 Color of Black.
  - Contacts: Copper Alloy.
  - Shell: Stainless Steel.
- Finish:
  - Contact Area: Gold Over Nickel.
  - Solder Area: Tin.
- Specifications:
  - Operating Temperature:  $-40^{\circ}\text{C} \sim +85^{\circ}\text{C}$
  - Insulating Resistance:  $100\text{M}\Omega$  Min.
  - Contact Resistance:  $100\text{m}\Omega$  Max.
  - Withstanding Voltage:  $500\text{V AC}$  1min.
  - Current Rating:  $0.5\text{A}$ .
- Product Number Code:
 

DS1138-04 - XX X X X X X X

Packing Type  
 R: Tape On Reel  
 Shell Materials  
 S: Stainless  
 Housing color  
 B: Black  
 Contact Plating  
 4: Selective  $3\mu$  gold  
 Mounting type  
 S: SMT type  
 Connector type  
 S: Socket  
 No. of contacts  
 06: 6pin



ITEM	PART NAME	MATERIAL	Q'TY	REMARK
⊕	DUMMY CARD	HIGH TEMP. PLASTIC	1 PCS	With or without
⊙	CD TERMINAL	COPPER ALLOY	1 PCS	
⊖	SLIDER	HIGH TEMP. PLASTIC	1 PCS	
⊕	HOOK	STAINLESS STEEL	1 PCS	
⊖	SPRING	SWP	1 PCS	
⊙	SHELL	STAINLESS STEEL	1 PCS	
⊖	TREMINAL	COPPER ALLOY	6 PIN	
⊕	HOUSING	HIGH TEMP. PLASTIC	1 PCS	

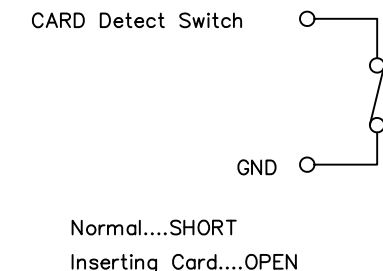
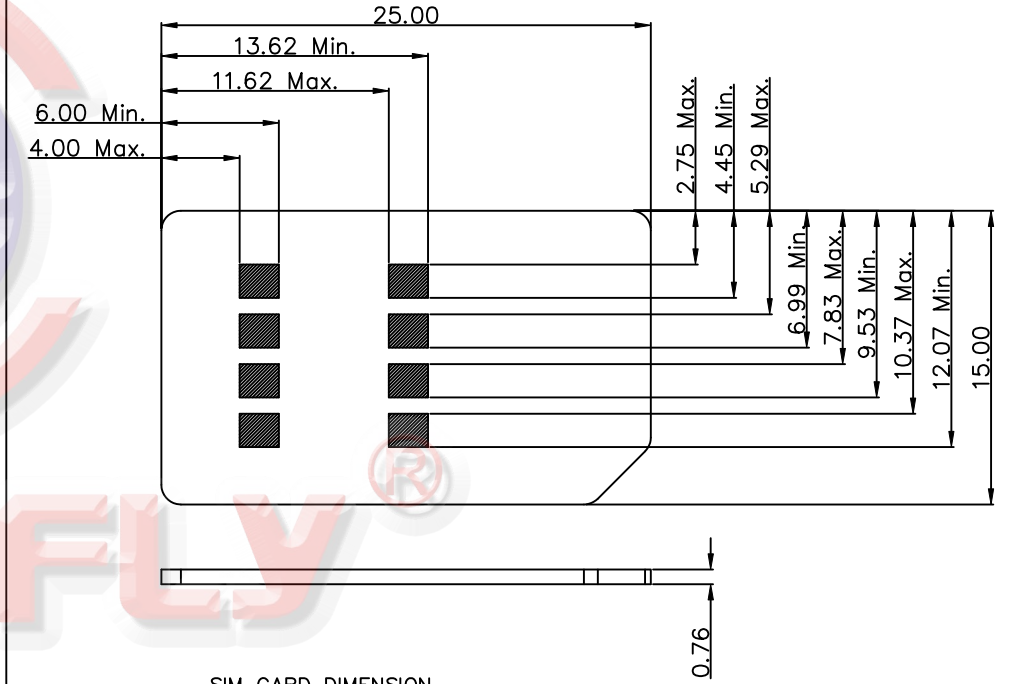
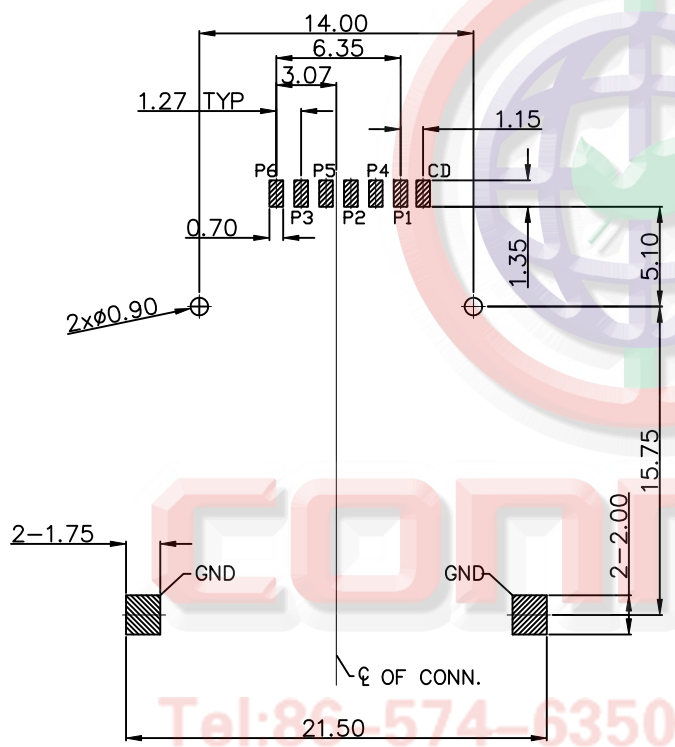
GENERAL TOLERANCE		ANGLE TOLERANCE	
X.	$\pm 0.60$	X.	$\pm 5^{\circ}$
.X	$\pm 0.38$	.X	$\pm 3^{\circ}$
.XX	$\pm 0.25$	.XX	$\pm 2^{\circ}$

PROJECTION	TITLE	PUSH PUSH TYPE SIM CARD 6P	
		SMT TYPE W/POST H=2.0MM	
UNITS	mm	SHEET SIZE	A4
SHEET SIZE	A4	SERIES	DS1138-04 SERIES

DRAWING TYPE	CUSTOMER		
SCALE	1:1	SHEET	1 OF 2
DRAWING NO.	C-DS1138-04-XXXXX-B		

**晨翔电子有限公司**  
**CONNFLY® CONNFLY ELECTRONIC CO., LTD**

REV.	DESCRIPTION	DRAWN	CHECKED	APPROVED
A	NEW RELEASE	JLZ 10/07/14'		LJC 10/07/14'
B	DRAWING UPDATE	JLZ 11/04/16'		



PIN ASSIGNMENTS

Connctor terminal NO.	Pin NO.
Pin 1	VCC: PWR signal and GND
Pin 2	RST: Reset signal
Pin 3	CLK: Clocking signal
Pin 4	GND: PWR signal and GND
Pin 5	VPP: programming Voltage
Pin 6	I/O : serial date input/output

GENERAL TOLERANCE		ANGLE TOLERANCE	
X.	±0.60	X.	±5°
.X	±0.38	.X	±3°
.XX	±0.25	.XX	±2°
DRAWING TYPE		CUSTOMER	
SCALE	1:1	SHEET	2 OF 2
DRAWING NO.	C-DS1138-04-XXXXX-B		

PROJECTION	TITLE
	PUSH PUSH TYPE SIM CARD 6P
UNITS	mm
SHEET SIZE	A4
SERIES	DS1138-04 SERIES

**晨翔电子有限公司**  
**CONNFLY® CONNFLY ELECTRONIC CO., LTD**

Tel: 86-574-63508787  
Fax: 86-574-63510817  
E-mail: sale@connfly.com  
http://www.connfly.com  
Add: East Industry Zone, Kuanqin  
Town, Cixi, Ningbo, China  
P.C: 315333