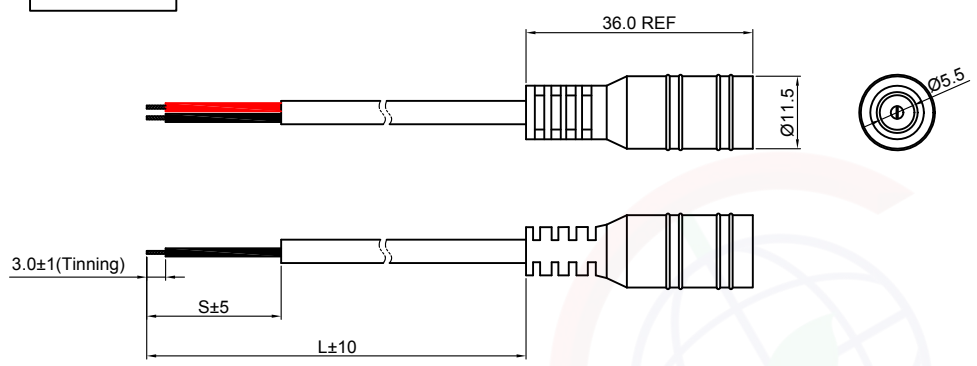


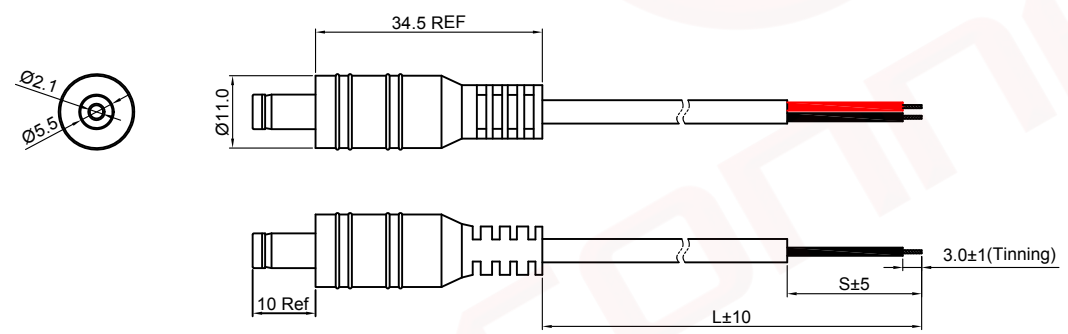
The information provided herein is from CONNELY Electronic Co., Ltd. and is confidential. Any disclosure to a party other than the recipient is prohibited. The intellectual properties and its rights contained herein, including but not limited to, trademarks, patents, copyrights, trade secrets, and technical know-how, are owned exclusively by CONNELY or its affiliates. Unauthorized use or reproduction of any part of this document is strictly prohibited. CONNELY reserves all rights in any format or manner. CONNELY may enforce its intellectual property rights at its own discretion, failures or delays to exercise such rights does not constitute a waiver of such rights.

REV.	DESCRIPTION	DRAWN	CHECKED	APPROVED
A	NEW RELEASE	JLZ 01/05/20'		
B	DRAWING UPDATE	JLZ 12/28/21'		

Female



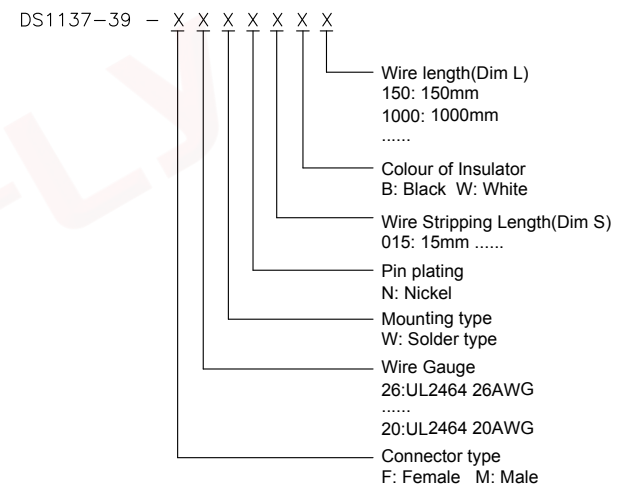
Male



(Series Image-Reference Only)

NOTES:

- Materials:
  - DC Insulator: Plastic Colour: Black or White.
  - DC Contact: Copper Alloy, Plating Nickel.
- Specifications:
  - Contact Resistance: 100mΩ maximum.
  - Insulation Resistance: 1000MΩ minimum.
  - Dielectric Withstanding Voltage: 1000V AC 1 minute.
  - Current: 5A AC, DC.
  - Voltage: 12~24V DC.
  - Application wire range: AWG26.
  - Temperature: -20°C~+80°C.
- Product Number Code:



GENERAL TOLERANCE		ANGLE TOLERANCE		PROJECTION		TITLE	
X.	±0.60	X.	±5°	UNITS	mm	5.5mm DC Jack/Plug Cable	
.X	±0.38	.X	±3°	SHEET SIZE	A4	SERIES	DS1137-39 SERIES
.XX	±0.25	.XX	±2°	<b>晨翔电子有限公司</b> CONNELY ELECTRONIC CO., LTD			
DRAWING TYPE		CUSTOMER					
SCALE	1:1	SHEET	1 OF 1				
DRAWING NO.		C-DS1137-39-XXXXXX-B					