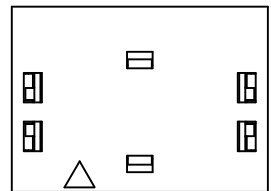


REV.	DESCRIPTION	DRAWN	CHECKED	APPROVED
A	NEW RELEASE	LJC 10/28/13'		LJC 10/28/13'
B	HOUSING COLOR CHANGE	JLZ 02/27/15'		



(Table A)

Wire Gauge	Wire OD(Insulation)	A(mm)	B(mm)
AWG #24	Ø1.1~1.6mm	0.37	1.6
AWG #22		0.47	
AWG #20	Ø1.6~2.1mm	0.60	2.1
AWG #18		0.72	

NOTES:

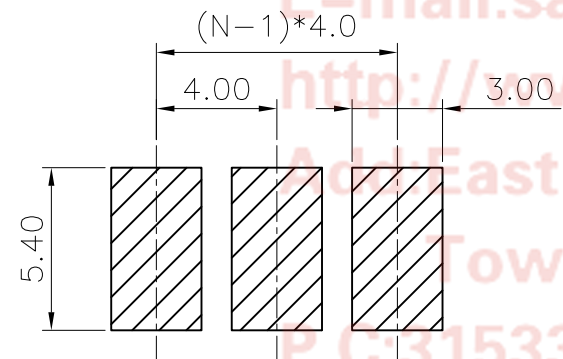
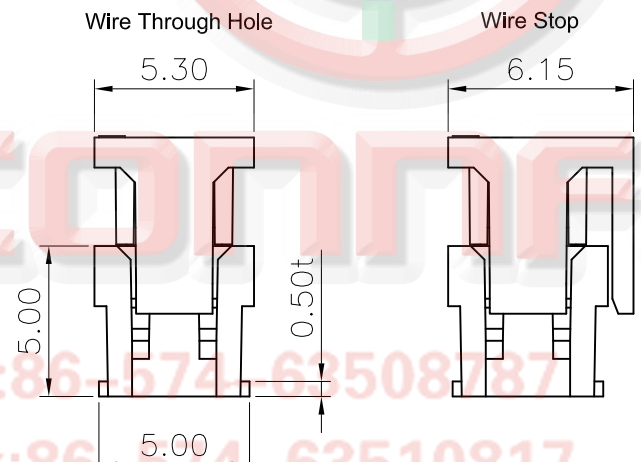
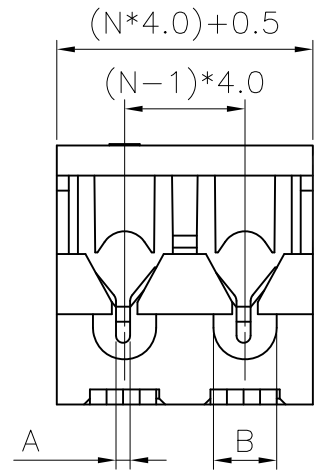
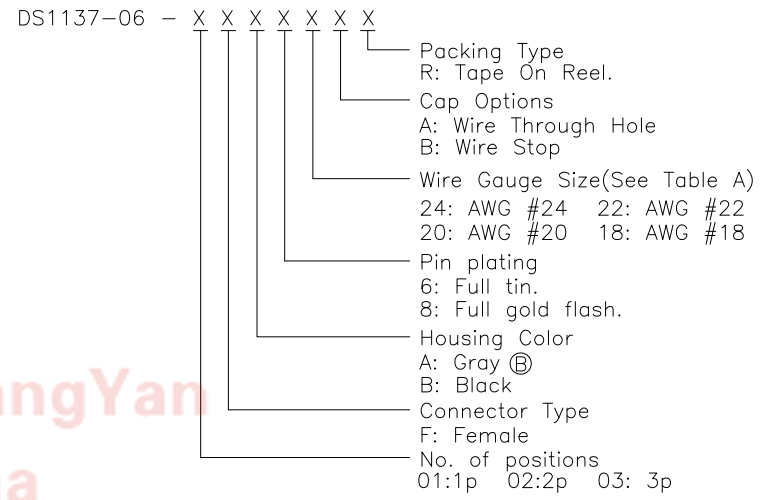
1. Materials:

- 1.1. Insulator: High Temperature 260°C, UL94-V0 Rated, color of gray or black. RoHS, REACH compliance.
- 1.2. Pin: Phosphor Bronze, Plating Matt Tin or Gold.

2. Specifications:

- 2.1. Temperature Range: -40~+105°C.
- 2.2. Contact Resistance: 20mΩ maximum.
- 2.3. Insulation Resistance: 1000MΩ minimum.
- 2.4. Dielectric Withstanding Voltage: 1000V AC 1 minute.
- 2.5. Voltage Rating: 320V AC/DC.
- 2.6. Current Rating: 9A max per pin.
- 2.7. Application Wire Range: AWG #24-18(0.2~0.75mm ). Wire is Stranded Type.
- 2.8. Resistance to soldering heat: 260°C, 3-5seconds.
- 2.9. Durability: 3 cycles.
- 2.10. Packing Type: 13" Tape On Reel, 1000pcs/Reel(1,2,3p)
- 2.11. Wire Through Hole & Stop Optional.
- 2.12. Cover Together With Housing, Mounting to Cable is very Convenient.

3. Product Number Code:



RECOMMEND PCB LAYOUT  
TOLERANCE=±0.05mm

GENERAL TOLERANCE		ANGLE TOLERANCE	
X.	±0.60	X.	±5°
.X	±0.38	.X	±3°
.XX	±0.25	.XX	±2°

DRAWING TYPE	CUSTOMER		
SCALE	1:1	SHEET	1 OF 1
DRAWING NO.	C-DS1137-06-XXXXXXX-B		

PROJECTION		TITLE	4.0mm LED Series IDC & SMT Type H=6.0mm	
UNITS	mm	SHEET	A4	
SHEET SIZE	A4	SERIES	DS1137-06 SERIES	

晨翔电子有限公司  
CONNFLY CONNFLY ELECTRONIC CO., LTD

Tel:86-574-63508787  
Fax:86-574-63510817  
E-mail:sale@connfly.com  
http://www.connfly.com  
Add: East Industry Zone KuangYan  
Town Cixi Ningbo China  
P.C:315333