

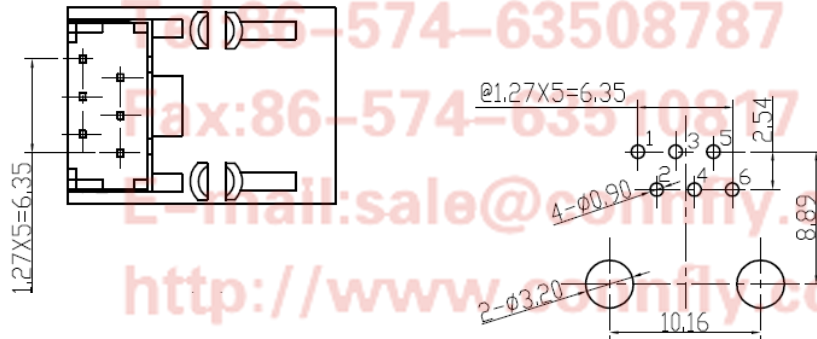
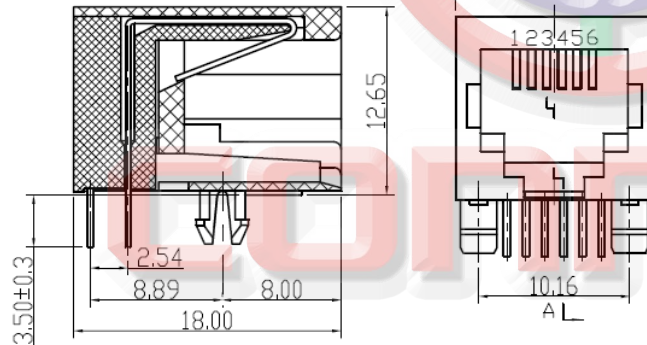
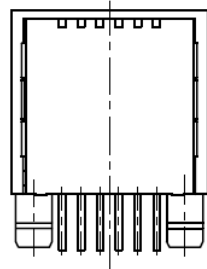
REV.	DESCRIPTION	DRAWN	CHECKED	APPROVED
A	NEW RELEASE	LJC 11/13/13'	~	

SPECIFICATION

1. Insulation Resistance: 1000MΩ Min.
2. Withstand Voltage: 1000V AC/Minute.
3. Voltage Rating: 125V AC/DC.
4. Current Rating: 1.5A.
5. Temperature Range: -40~+85°C.
6. Durability: 600 Mating Cycles Min.
7. Product Number Code:

DS1133-07 - X X X X X

- Housing Materials
P:PBT
N:NYLON
- Housing Color
A:Gray
B:Black
- Contact Plating
0:Gold Flash
3:Selective 3u" Gold
- No.Of Contacts
6:6P6C 4:6P4C
- Connector Type
S:Socket




PCB LAYOUT

Tel: 86-574-63508787
 Fax: 86-574-63510817
 E-mail: sale@connfly.com
 http://www.connfly.com
 Add: East Industry Zone KuangYan
 Town Cixi Ningbo China
 P.C: 315333

GENERAL TOLERANCE		ANGLE TOLERANCE	
X.	±0.60	X.	±5°
.X	±0.38	.X	±3°
.XX	±0.25	.XX	±2°

DRAWING TYPE	CUSTOMER		
SCALE	1:1	SHEET	1 OF 1
DRAWING NO.	C-DS1133-07-XXXXX-A		

PROJECTION	TITLE
UNITS	PCB JACK 6P R/A TYPE
SHEET SIZE	SERIES DS1133-07 SERIES

 晨翔电子有限公司
CONNFLY CONNFLY ELECTRONIC CO. LTD