

REV.	DESCRIPTION	DRAWN	CHECKED	APPROVED
A	NEW RELEASE	JLZ 06/27/16'		

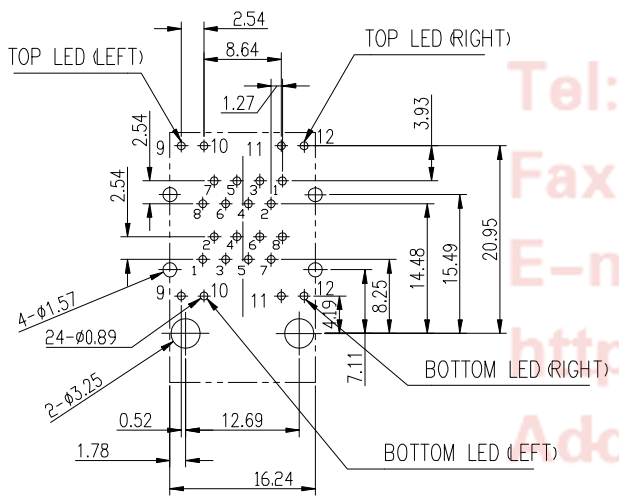
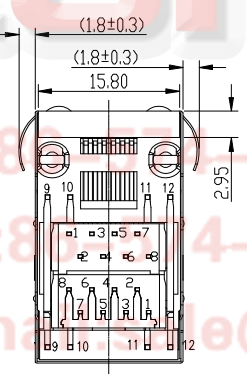
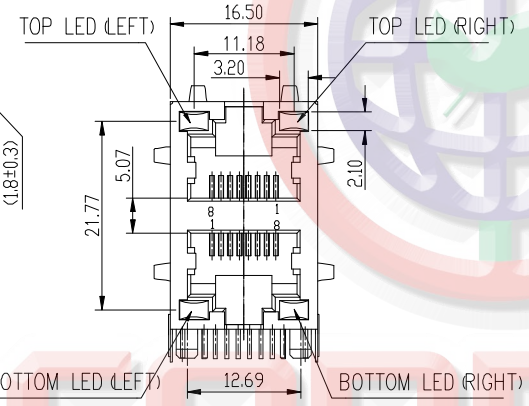
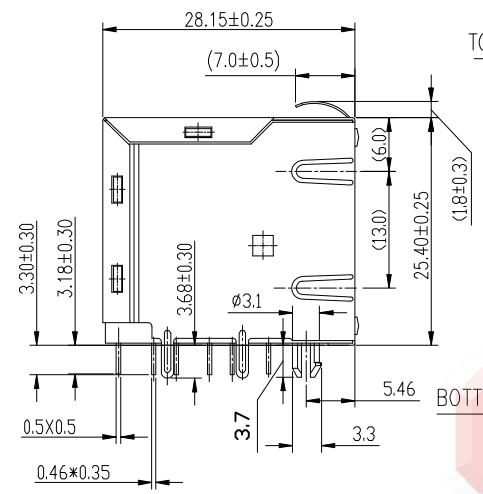
NOTES:

- ELECTRICAL CHARACTERISTICS:
 - CONTACT RESISTANCE: 20mΩ Max.
 - DIELECTRIC WITHSTANDING VOLTAGE: 500V AC(rms) FOR 1 MINUTE.
 - INSULATION RESISTANCE: 1000MΩ Min.
 - CURRENT RATING:1.5A.
 - VOLTAGE RATING:125V AC RMS.
- ENVIRONMENT CHARACTERISTICS:
 - TEMPERATURE: -40°C~+85°C.
- MATERIALS
 - CONTACT MATERIAL: COPPER ALLOY, SELETIVE GOLD.
 - SHELL MATERIAL: COPPER ALLOY, NICKEL.
 - INSULATOR MATERIALS: PBT/PA66,UL94-V0.
- MECHANICAL
 - MATING/UNMATING FORCE:30N MAX.
 - RETENTION STRENGTH:50N FOR 60s±5s
 - DURABILITY:600 CYCLES MIN.

5. PRODUCT NUMBER CODE:

DS1131-01-X X X X X X

- LED Type
 - 1:LEFT(GREEN) RIGHT(YELLOW)
 - 2:LEFT(YELLOW) RIGHT(GREEN)
 -
- Shell Type
 - S:W/ Shrapnel
 - X:W/O Shrapnel
- Housing Materials
 - P:PBT
 - N:NYLON
- Housing Color
 - B:Black
- Contact Plating
 - 0:Gold Flash
 - 3:Selective 3u" Gold Flash (6;15;30)Micro Inch
- No.Of Contacts
 - 8:8p8c
- Connector Type
 - S:Socket



PCB LAYOUT COMPONENT SIDE
THICKNESS=1.6MM

Tel:86-574-63508787
 Fax:86-574-63510817
 E-mail:connfly@connfly.com
 http://www.connfly.com
 Add:East Industry Zone KuangYan
 Town Cixi Ningbo China
 P.C:315333

GENERAL TOLERANCE		ANGLE TOLERANCE	
X.	±0.60	X.	±5'
.X	±0.38	.X	±3'
.XX	±0.25	.XX	±2'

PROJECTION	TITLE
	PCB Jack 8 Positions 2*1 Port
UNITS	mm
SHEET SIZE	A4

SERIES	DESCRIPTION
DS1131-01 SERIES	W/ Shell & LED Type

DRAWING TYPE	CUSTOMER
SCALE	1:1 SHEET 1 OF 1
DRAWING NO.	C-DS1131-01-XXXXX-A

晨翔电子有限公司
CONNFLY CONNFLY ELECTRONIC CO. LTD