

REV.	DESCRIPTION	DRAWN	CHECKED	APPROVED
A	NEW RELEASE	JLZ 06/06/16'	~	

NOTES:

1. ELECTRICAL CHARACTERISTICS:

- 1.1 CONTACT RESISTANCE: 20mΩ Max.
- 1.2 DIELECTRIC WITHSTANDING VOLTAGE: 500V AC(rms) FOR 1 MINUTE.
- 1.3 INSULATION RESISTANCE: 1000MΩ Min.
- 1.4 VOLTAGE RATING:150V.
- 1.5 CURRENT RATING:1.5A.

2. ENVIRONMENT CHARACTERISTICS:

- 2.1 TEMPERATURE: -40°C~+85°C.

3. MATERIALS

- 3.1 CONTACT MATERIAL: COPPER ALLOY.
- 3.2 CONTACT PLATING: SELECTIVE GOLD.
- 3.3 INSULATOR MATERIALS: PBT BLACK.

4. PRODUCT NUMBER CODE:

DS1129-04-X X X X - X X

LED Type

- 1: See Table
- 2: See Table .....

Shell Type

- S:W/ Shrapnel
- X:W/O Shrapnel

Housing Materials

P:PBT

Contact Plating

- 0:Selective Gold Flash
- J:Selective 6u" Gold
- 5:Selective 15u" Gold
- 3:Selective 30u" Gold

Housing Color

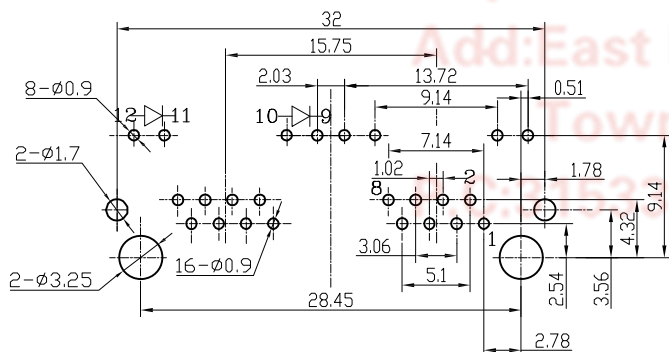
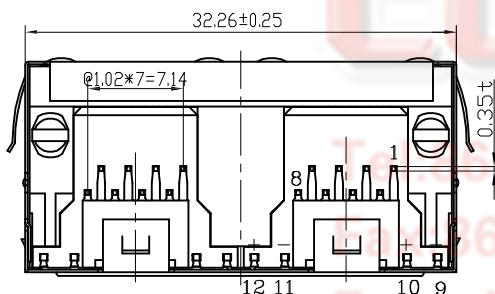
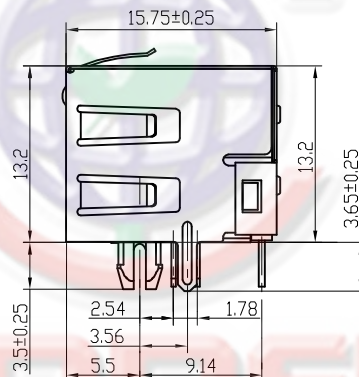
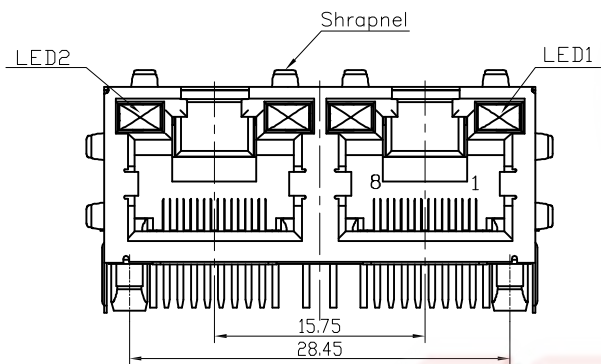
B:Black

No.Of Contacts

8:8p8c

Connector Type

S:Socket



PCB LAYOUT  
THICKNESS=1.6mm  
LED Voltage:2.6V

GENERAL TOLERANCE		ANGLE TOLERANCE	
X.	±0.60	X.	±5°
.X	±0.38	.X	±3°
.XX	±0.25	.XX	±2°

PROJECTION	TITLE
mm	PCB Jack 8 Positions 1*2 Port W/ Shell 3.56mm WITH LED Type
A4	SERIES DS1129-04 SERIES

DRAWING TYPE	CUSTOMER
SCALE	1:1 SHEET 1 OF 2
DRAWING NO.	C-DS1129-04-XXXX-A

 晨翔电子有限公司  
CONNFLY CONNFLY ELECTRONIC CO. LTD

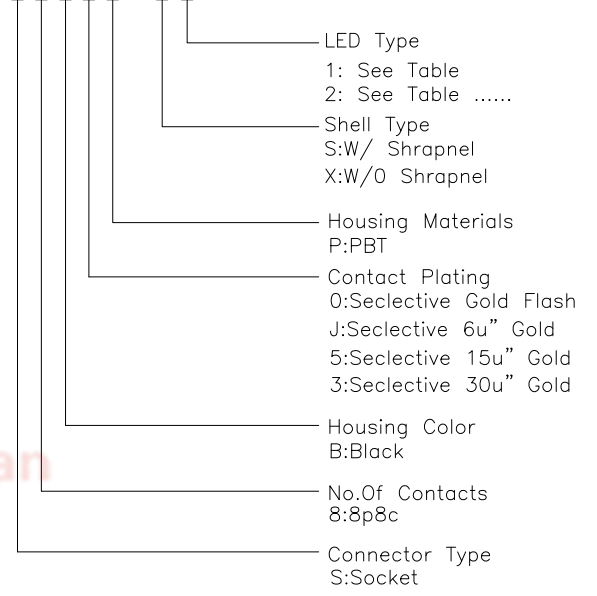
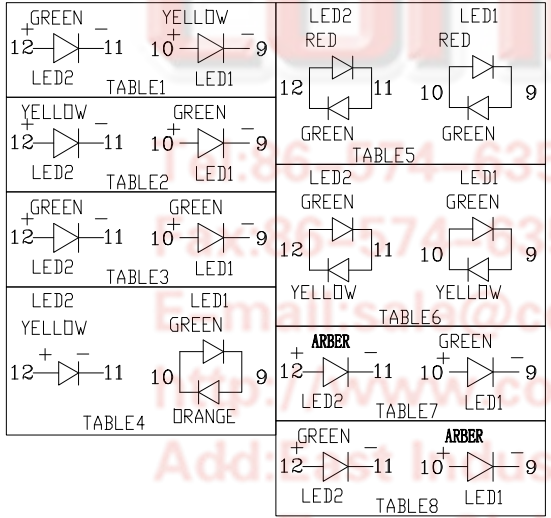
REV.	DESCRIPTION	DRAWN	CHECKED	APPROVED
A	NEW RELEASE	JLZ 06/06/16'	~	

TYPE	Contact Plating				Shell Type (Shrapnel)	LED TABLE
	G/F	6u"	15u"	30u"		
1	W/	W/	W/O	W/	W/	TABLE1
2	W/	W/	W/	W/	W/ or W/O	TABLE2
3	W/	W/	W/O	W/	W/	TABLE3
4	W/	W/	W/O	W/O	W/ or W/O	TABLE4
5	W/	W/O	W/O	W/O	W/	TABLE5
6	W/O	W/O	W/O	W/O	W/	TABLE6
7	W/	W/O	W/O	W/O	W/	TABLE7
8	W/O	W/O	W/O	W/	W/	TABLE8

NOTES:

- ELECTRICAL CHARACTERISTICS:
  - CONTACT RESISTANCE: 20mΩ Max.
  - DIELECTRIC WITHSTANDING VOLTAGE: 500V AC(rms) FOR 1 MINUTE.
  - INSULATION RESISTANCE: 1000MΩ Min.
  - VOLTAGE RATING:125V.
  - CURRENT RATING:1.5A.
- ENVIRONMENT CHARACTERISTICS:
  - TEMPERATURE: -40°C~+85°C.
- MATERIALS
  - CONTACT MATERIAL: COPPER ALLOY.
  - CONTACT PLATING: SELECTIVE GOLD.
  - INSULATOR MATERIALS: PBT BLACK.
- PRODUCT NUMBER CODE:
 

DS1129-04-X X X X X - X X



GENERAL TOLERANCE		ANGLE TOLERANCE		PROJECTION		TITLE	PCB Jack 8 Positions 1*2 Port W/ Shell 3.56mm WITH LED Type	
X.	±0.60	X.	±5°	UNITS	mm	SHEET SIZE	A4	
.X	±0.38	.X	±3°	晨翔电子有限公司 <b>CONNFLY CONNFLY ELECTRONIC CO. LTD</b>				
.XX	±0.25	.XX	±2°					
DRAWING TYPE		CUSTOMER		SERIES				DS1129-04 SERIES
SCALE		1:1	SHEET		2 OF 2			
DRAWING NO.		C-DS1129-04-XXXXX-A						