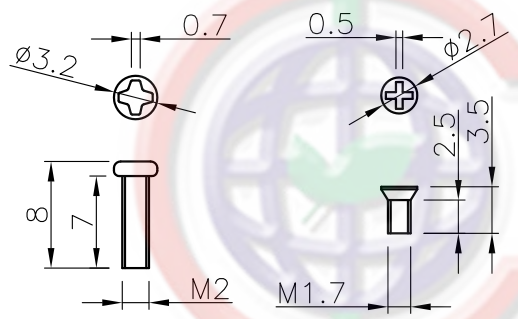
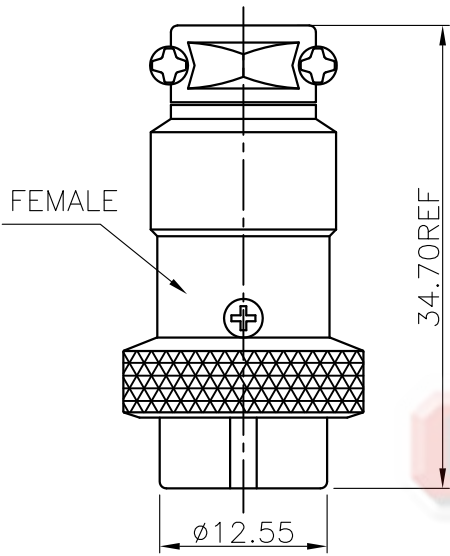


The information provided herein is from CONNELY Electronic Co., Ltd. and is confidential. Any disclosure to a party other than the recipient is prohibited. The intellectual properties and its rights contained herein, including but not limited to, trademarks, patents, copyrights, trade secrets, and technical know-how, are owned exclusively by CONNELY or its affiliates. Unauthorized use of any part of this document in any format or manner. CONNELY may enforce its intellectual property rights at its own discretion; failures or delays to exercise such rights does not constitute a waiver of such rights.

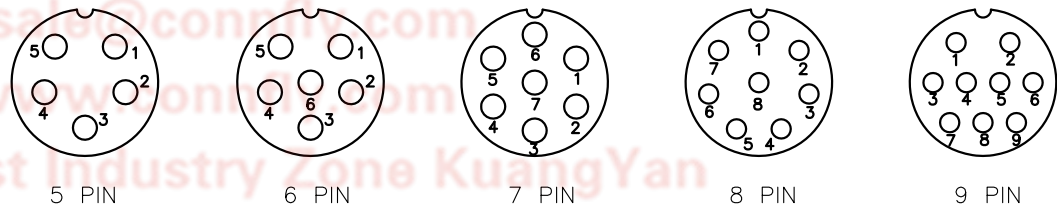
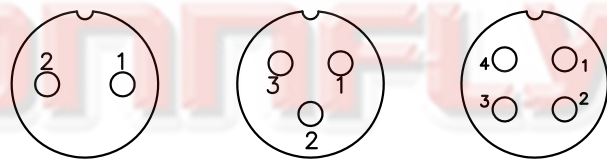
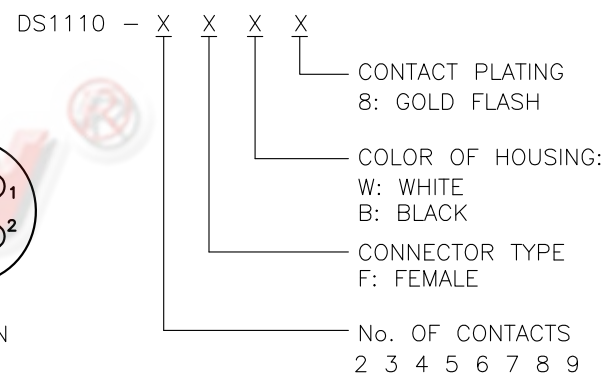
1 2 3 4 5 6 7 8

REV.	DESCRIPTION	DRAWN	CHECKED	APPROVED
A	NEW RELEASE	JLZ 10/22/18'		



NOTES:

- SPECIFICATION
 - CURRENT RATING: 5A Max.
 - DIELECTRIC WITH STANDING VOLTAGE: 500V(AC)
 - CONTACT RESISTANCE: 50mΩ Max.
 - INSULATION RESISTANCE: 1000MΩ(DC)Min
- PRODUCT NUMBER CODE:



Tel:86-574-63508701
 Fax:86-574-63510817
 E-mail:sales@connely.com
 http://www.connely.com
 Add:East Industry Zone KuangYan
 Town Cixi Ningbo China
 P.C:315333

GENERAL TOLERANCE		ANGLE TOLERANCE		PROJECTION	TITLE
X.	±0.60	X.	±5°		Micro Jack Connector
.X	±0.38	.X	±3°	mm	Female Type
.XX	±0.25	.XX	±2°	A4	SERIES DS1110 SERIES
DRAWING TYPE		CUSTOMER		晨翔电子有限公司 CONNELY CONNELY ELECTRONIC CO. LTD	
SCALE		1:1	SHEET 1 OF 1		
DRAWING NO.		C-DS1110-XFX8-A			

1 2 3 4 5 6 7 8