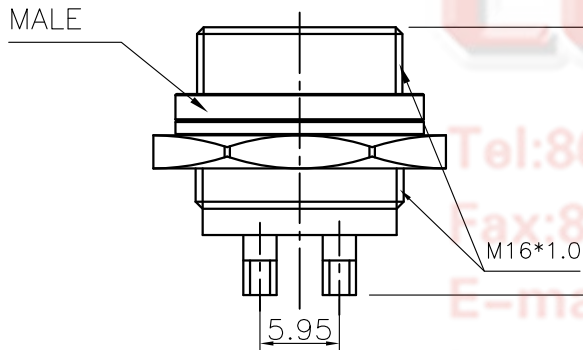
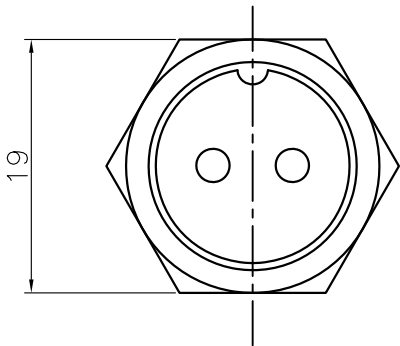


The information provided herein is from CONNELY Electronic Co., Ltd. and is confidential. Any disclosure to a party other than the recipient is prohibited. The intellectual properties and its rights contained herein, including but not limited to, trademarks, patents, copyrights, trade secrets, and technical know-how, are owned exclusively by CONNELY or its affiliates. Unauthorized use of this information in any format or manner. CONNELY may enforce its intellectual property rights at its own discretion; failures or delays to exercise such rights does not constitute a waiver of such rights.

1      2      3      4      5      6      7      8

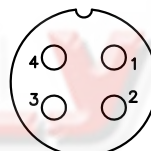
REV.	DESCRIPTION	DRAWN	CHECKED	APPROVED
A	NEW RELEASE	JLZ 10/22/18'		



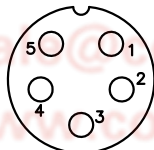
2 PIN



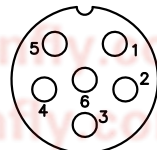
3 PIN



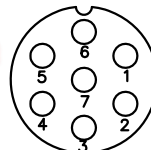
4 PIN



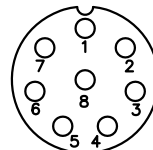
5 PIN



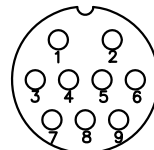
6 PIN



7 PIN



8 PIN



9 PIN

NOTES:

1.SPECIFICATION

- .CURRENT RATING: 5A Max.
- .DIELECTRIC WITH STANDING VOLTAGE: 500V(AC)
- .CONTACT RESISTANCE: 50mΩ Max.
- .INSULATION RESISTANCE: 1000MΩ(DC)Min

2.PRODUCT NUMBER CODE:

DS1110 - X X X X

CONTACT PLATING  
8: GOLD FLASH

COLOR OF HOUSING:  
W: WHITE  
B: BLACK

CONNECTOR TYPE  
M: MALE

No. OF CONTACTS  
2 3 4 5 6 7 8 9

Tel:86-574-63508787

Fax:86-574-63510817

E-mail:sales@connely.com

http://www.connely.com

Add:East Industry Zone KuangYan

Town Cixi Ningbo China

P.C:315333

GENERAL TOLERANCE		ANGLE TOLERANCE		PROJECTION		TITLE	Micro Jack Connector Male Type			
X.	±0.60	X.	±5°	UNITS	mm	SERIES	DS1110 SERIES			
.X	±0.38	.X	±3°	SHEET SIZE	A4					
.XX	±0.25	.XX	±2°							
DRAWING TYPE		CUSTOMER			晨翔电子有限公司 <b>CONNELY CONNELY ELECTRONIC CO. LTD</b>					
SCALE		1:1	SHEET						1 OF 1	
DRAWING NO.		C-DS1110-XXM8-A								

1      2      3      4      5      6      7      8

A B C D E F G H