

| REV. | DESCRIPTION | DRAWN | CHECKED | APPROVED |
|------|-------------|--------------|---------|----------|
| A | NEW RELEASE | LL 07/18/06' | | |
| | | | | |
| | | | | |

NOTES:

1.SPECIFICATION

- .CURRENT RATING: 5A Max.
- .DIELECTRIC WITH STANDING VOLTAGE: 500V(AC)
- .CONTACT RESISTANCE: 100mΩ Max.
- .INSULATION RESISTANCE: 1000MΩ(DC)Min.

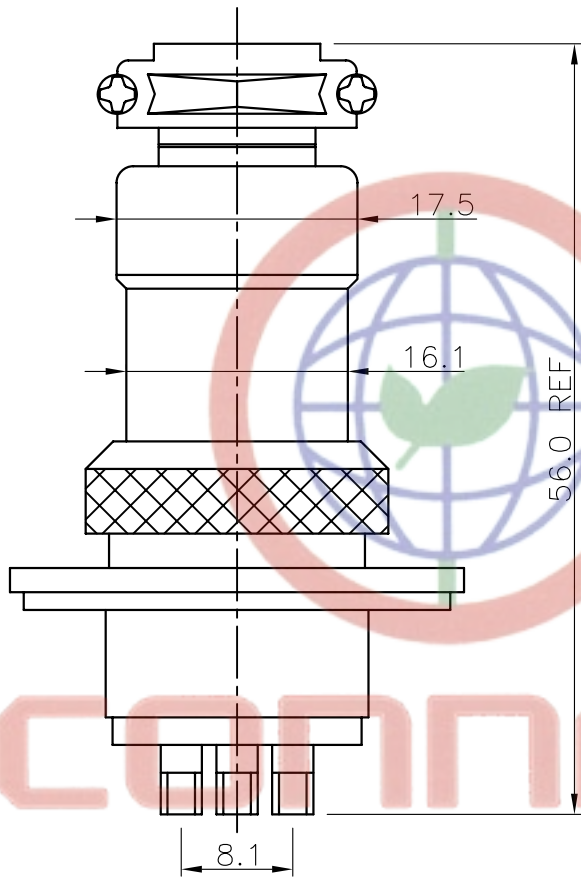
2.PRODUCT NUMBER CODE:

DS1110-02 - X X X

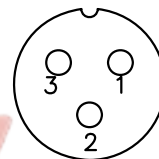
CONTACT PLATING
6: TIN

COLOR OF HOUSING:
W: WHITE
B: BLACK

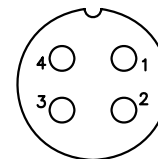
No. OF CONTACTS
2: 2pin
10: 10pin



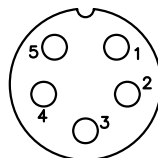
2 PIN



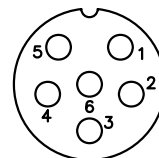
3 PIN



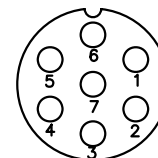
4 PIN



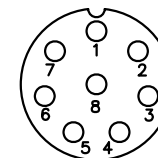
5 PIN



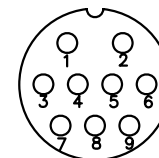
6 PIN



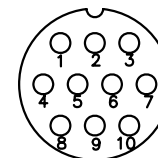
7 PIN



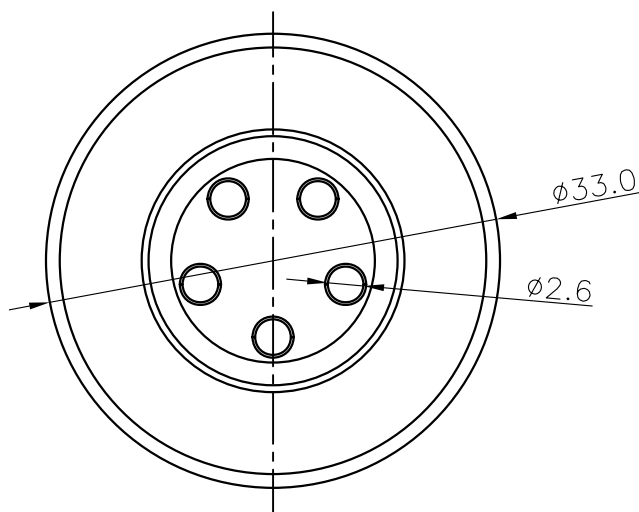
8 PIN



9 PIN



10 PIN



Tel: 86-574-63508787

Fax: 86-574-63510817

| | | | | | | |
|-------------------|-------|-----------------|--------|---|----|-------------------------|
| GENERAL TOLERANCE | | ANGLE TOLERANCE | | PROJECTION | | TITLE |
| X. | ±0.60 | X. | ±5' | UNITS | mm | MICRO JACK CONNECTOR |
| .X | ±0.38 | .X | ±3' | SHEET SIZE | A4 | SERIES DS1110-02 SERIES |
| .XX | ±0.25 | .XX | ±2' | 晨翔电子有限公司 CONNFLY CONNFLY ELECTRONIC CO. LTD | | |
| DRAWING TYPE | | CUSTOMER | | | | |
| SCALE | 1:1 | SHEET | 1 OF 1 | | | |
| DRAWING NO. | | C-DS1110-02-XXX | | | | |