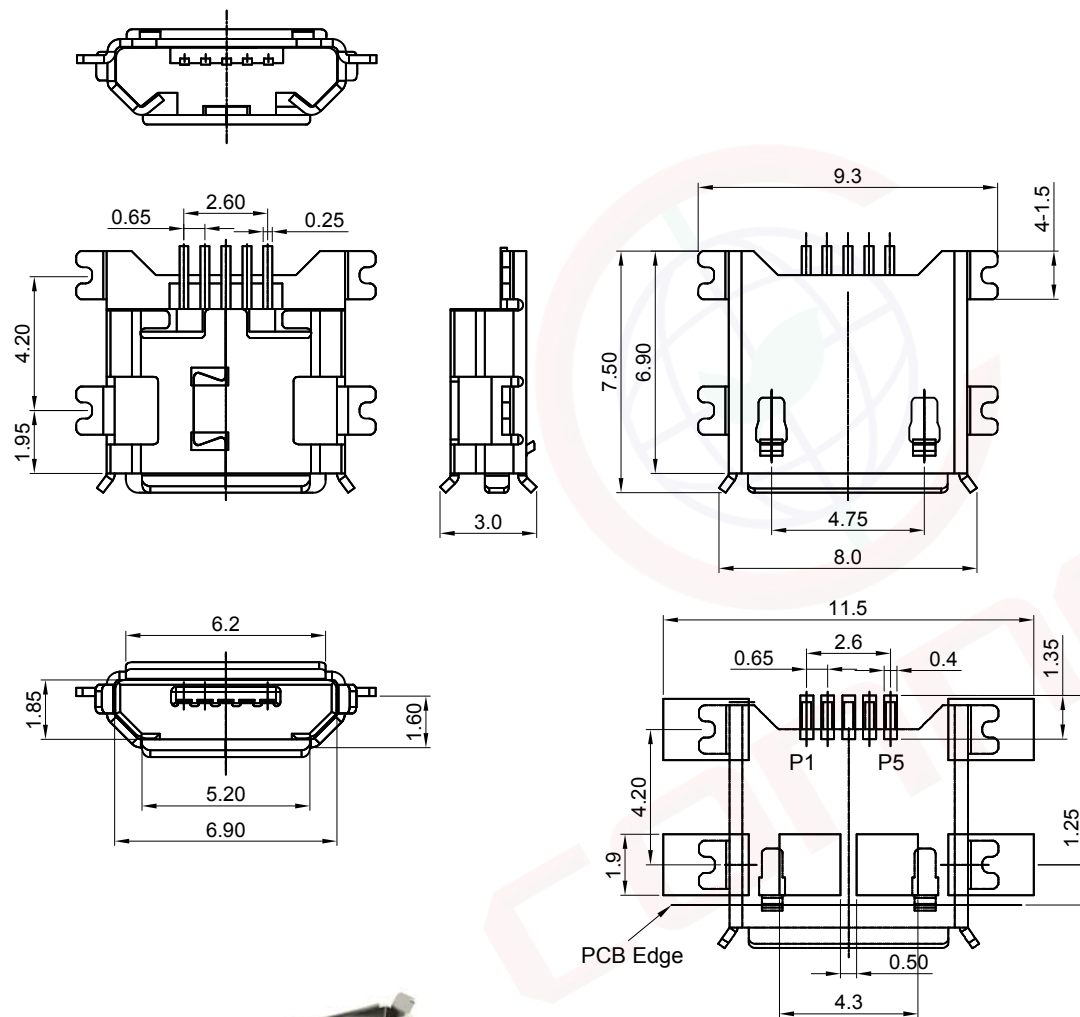


Dept	
Qty	
DC	1
ED	1
IE	1
ISO	1
PD	1
R&D	1
SD	1
QA	1
QC	1
QF	1

The information provided herein is from CONNELY Electronic Co., Ltd. and is confidential. Any disclosure to a party other than the recipient is prohibited. The intellectual properties and its rights contained herein, including but not limited to, trademarks, patents, copyrights, trade secrets, and technical know-how, are owned exclusively by CONNELY or its affiliates. Unauthorized use or disclosure of any intellectual property rights for any purpose or in any manner, including but not limited to, reproduction, distribution, or disclosure, is strictly prohibited. CONNELY may enforce its intellectual property rights at its own discretion, failures or delays to exercise such rights does not constitute a waiver of such rights.

REV.	DESCRIPTION	DRAWN	CHECKED	APPROVED
A	NEW RELEASE	JLZ 07/05/17'		
B	DRAWING UPDATE	JLZ 05/18/22'		



(Series Image-Reference Only)

Recommend PCB layout
(Tolerance:±0.05)

Notes:

Specifications:

- Contact Resistance: 30mΩ Max.
- Insulation Resistance: 100MΩ Min.
- Dielectric Withstanding Voltage: 100V AC(rms) For 1 Minute.
- Current Rating:1A Max
- Voltage Rating:30V Max
- Temperature: -30°C~+80°C.

Materials:

- Contact Material: Copper Alloy.
- Shell Material: Copper Alloy.
- Insulator Material: Thermoplastic,Black.

Mechanical Characteristics:

- Mating Force:3.57Kgf Maximum.
- Unmating Force:1.02Kgf Minimum.
- Durability:3000 Cycles

Product Number Code:

DS1105-15 - X X X X X

- Packing type:
R: Tape on reel
- Contact plated:
8: Gold Flash
- Mounting type:
S: SMT
- Shell Plated:
6: Tin
- Color of housing:
B: Black

GENERAL TOLERANCE		ANGLE TOLERANCE		PROJECTION		TITLE	Micro USB Female 5 Positions B Type Mid-Mount Type
X.	±0.60	X.	±5°	UNITS	mm	SHEET	1 OF 1
.X	±0.38	.X	±3°	SHEET SIZE	A4	SERIES	DS1105-15 SERIES
.XX	±0.25	.XX	±2°	晨翔电子有限公司 CONNFLY CONNELY ELECTRONIC CO., LTD			
DRAWING TYPE		CUSTOMER					
SCALE		1:1					
DRAWING NO.		C-DS1105-15-XXXXX-B					