

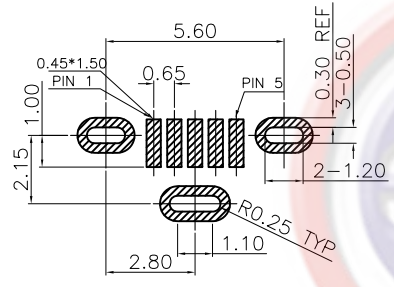
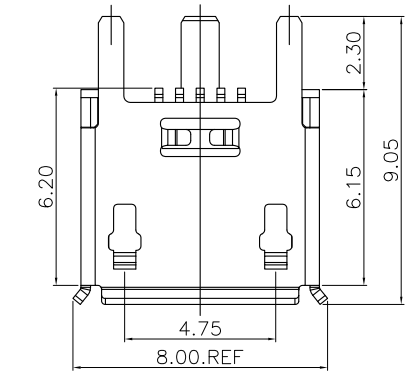
REV.	DESCRIPTION	DRAWN	CHECKED	APPROVED
A	NEW RELEASE	JLZ 03/22/18'	~	

NOTES:

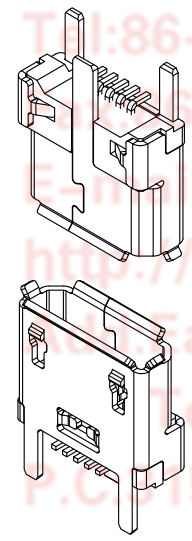
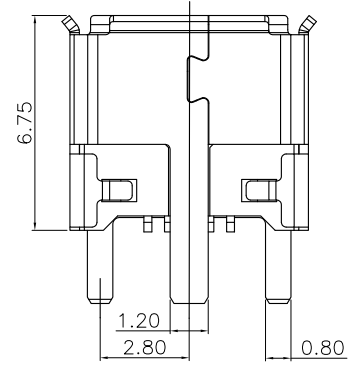
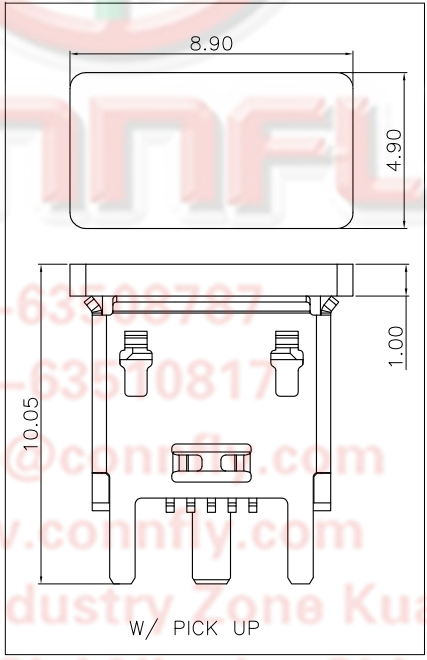
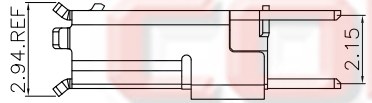
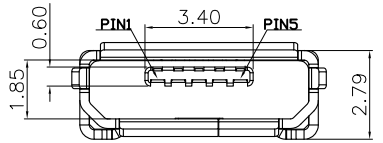
- 1.1 INSULATOR RESISTANCE: 100MΩ Min. AT 100V DC.
- 1.2 CURRENT RATING: 1.0A FOR PIN1 AND PIN5.
- 1.3 DIELECTRIC STRENGTH: AC 100V FOR 1 Minute.
- 1.4 HOUSING: THERMOPLASTIC (UL 94-0).
- 1.5 CONTACT: COPPER ALLOY
- 1.6 SHELL: COPPER ALLOY
- 1.7 PRODUCT NUMBER CODE:

DS1105-11 - X X X X X X X X

- Pick up support:
S: W/ Pick Up
- Packing type:
R: Tape on reel
- Shell Plated:
6: Tin
- Color of housing:
B: Black
- Contact plated:
8: Full Gold Flash
- Mounting type:
S: SMT type
- Connector type:
S: Socket
- No. of contacts:
05: 5Pin



RECOMMEND PCB LAYOUT TOLERANCE: ±0.05



GENERAL TOLERANCE		ANGLE TOLERANCE	
X.	±0.60	X.	±5°
.X	±0.38	.X	±3°
.XX	±0.25	.XX	±2°

DRAWING TYPE	CUSTOMER		
SCALE	1:1	SHEET	1 OF 1
DRAWING NO.	C-DS1105-11-XXXXXXXXX-A		

PROJECTION		TITLE	Micro USB B Type Female 5 Positions
UNITS	mm		V/T SMT Type
SHEET SIZE	A4	SERIES	DS1105-11 SERIES

晨翔电子有限公司
CONNFLY CONNFLY ELECTRONIC CO. LTD