

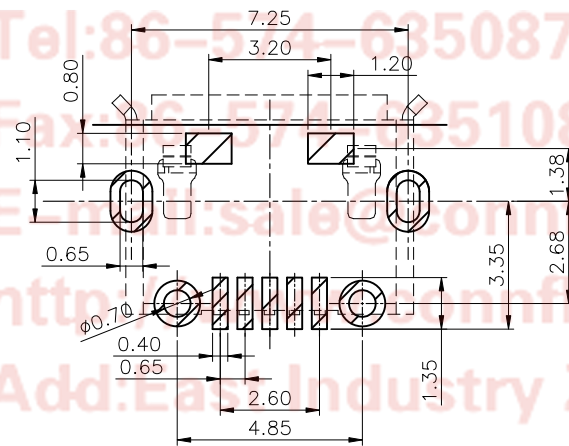
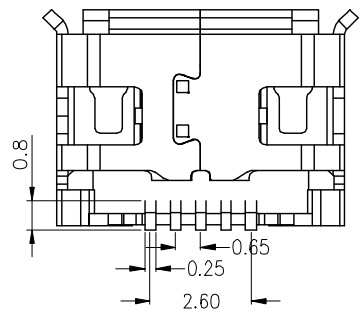
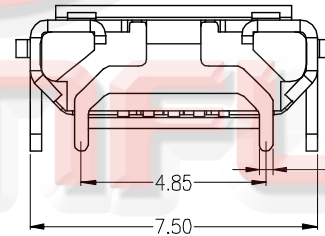
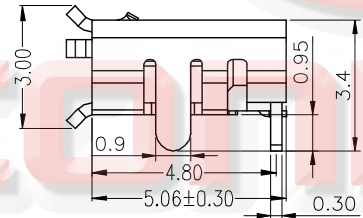
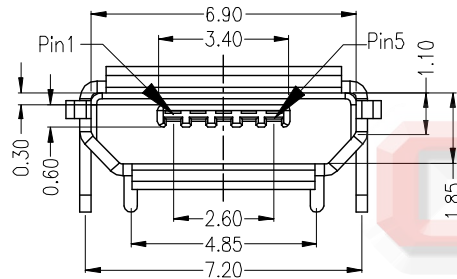
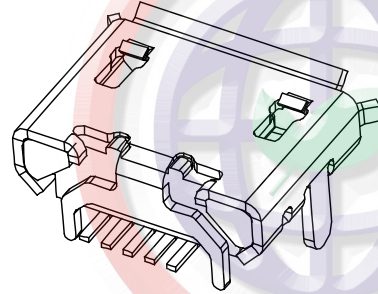
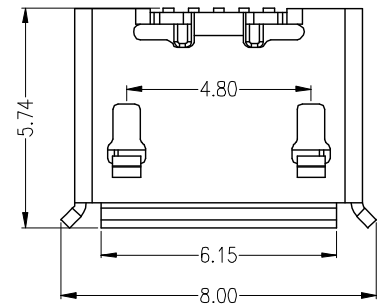
REV.	DESCRIPTION	DRAWN	CHECKED	APPROVED
A	NEW RELEASE	JLZ 03/03/16'	~	

NOTES:

- 1.1 INSULATOR RESISTANCE: 100MΩ Min. AT 100V DC.
- 1.2 CURRENT RATING: 1.8A FOR PIN1 AND PIN5.
- 1.3 DIELECTRIC STRENGTH: AC 100V FOR 1 Minute.
- 1.4 HOUSING: THERMOPLASTIC (UL 94-0).
- 1.5 CONTACT: COPPER ALLOY
- 1.6 SHELL: COPPER ALLOY
- 1.7 PRODUCT NUMBER CODE:

DS1105-08 - X X X X

- CONTACT PLATED:
- 0: Selective Gold Flash
- 8: Gold Flash
- MOUNTING TYPE:
- S: SMT
- SHELL PLATED:
- N: Nickel
- 6: Tin
- COLOR OF HOUSING:
- B: Black
- W: White




RECOMMENDED PCB LAYOUT

GENERAL TOLERANCE		ANGLE TOLERANCE	
X.	±0.60	X.	±5°
.X	±0.38	.X	±3°
.XX	±0.25	.XX	±2°

DRAWING TYPE	CUSTOMER		
SCALE	1:1	SHEET	1 OF 1
DRAWING NO.	C-DS1105-08-XXXX-A		

PROJECTION	TITLE	MICRO USB B TYPE FEMALE 5P SMT TYPE	
UNITS	mm	SHEET	1 OF 1
SHEET SIZE	A4	SERIES	DS1105-08 SERIES

 晨翔电子有限公司
CONNFLY CONNFLY ELECTRONIC CO. LTD

Tel: 86-574-63508787
 Fax: 86-574-63510817
 E-mail: sale@connfly.com
 http://www.connfly.com
 Add: East Industry Zone KuangYan
 Town Cixi Ningbo China
 P.C: 315333