

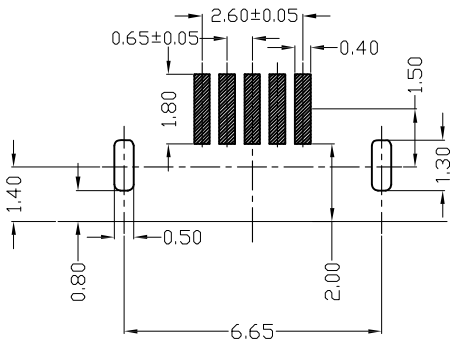
REV.	DESCRIPTION	DRAWN	CHECKED	APPROVED
A	NEW RELEASE	JLZ 08/07/15'	~	LJC 08/07/15'
B	ADD PACKING TYPE	JLZ 06/27/18'	~	

NOTES:

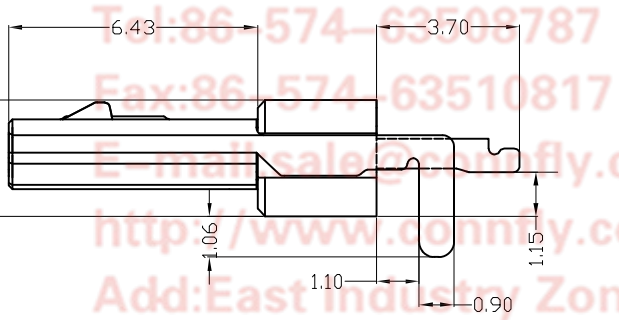
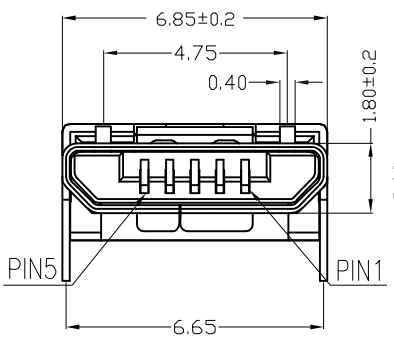
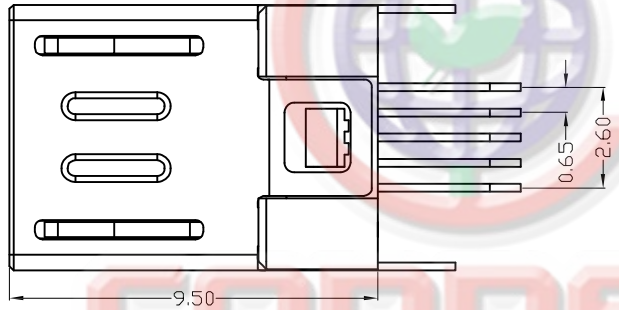
- 1.1 INSULATOR RESISTANCE: 100MΩ Min. AT 100V DC.
- 1.2 CURRENT RATING: 1.0A FOR PIN1 AND PIN5.
- 1.3 DIELECTRIC STRENGTH: AC 100V FOR 1 Minute.
- 1.4 HOUSING: THERMOPLASTIC (UL 94-0).
- 1.5 CONTACT: COPPER ALLOY
- 1.6 SHELL: STEEL.
- 1.7 HOOK: STEEL.
- 1.8 PRODUCT NUMBER CODE:

DS1105-04 - X X X X - N - 036

- PACKING TYPE:
R: Tape On Reel
T: Tray
- CONTACT PLATED:
0: Selective Gold Flash
- SHELL PLATED:
N: Nickel
- COLOR OF HOUSING:
B: Black



Recommended P.C.B Layout
TOLERANCE±0.05



Tel:86-574-63508787
 Fax:86-574-63510817
 E-mail:sale@connfly.com
 http://www.connfly.com
 Add:East Industry Zone KuangYan
 Town Cixi Ningbo China
 P.C:315333

GENERAL TOLERANCE		ANGLE TOLERANCE	
X.	±0.60	X.	±5°
.X	±0.38	.X	±3°
.XX	±0.25	.XX	±2°

DRAWING TYPE	CUSTOMER		
SCALE	1:1	SHEET	1 OF 1
DRAWING NO.	C-DS1105-04-XXXX-N-036-B		

PROJECTION		TITLE	MICRO USB MALE 5P DIP SMT TYPE	
UNITS	mm	SERIES	DS1105-04 SERIES	
SHEET SIZE	A4			

晨翔电子有限公司
CONNFLY CONNFLY ELECTRONIC CO. LTD