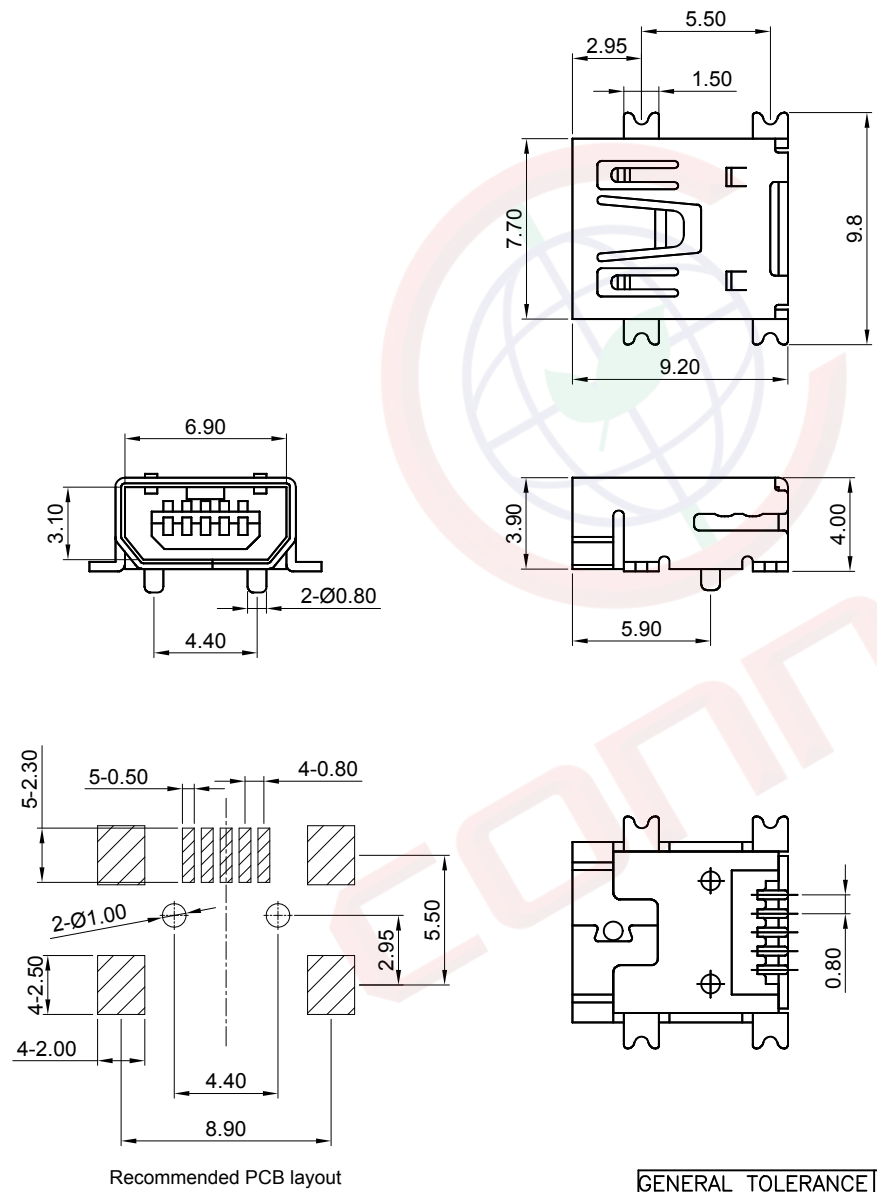


Dept	
Qty	
DC	1
ED	1
IE	1
ISO	1
PD	1
R&D	1
SD	1
QA	1
QC	1
QF	1

The information provided herein is from CONNELY Electronic Co., Ltd. and is confidential. Any disclosure to a party other than the recipient is prohibited. The intellectual properties and its rights contained herein, including but not limited to, trademarks, patents, copyrights, trade secrets, and technical know-how, are owned exclusively by CONNELY or its affiliates. Unauthorized use or reproduction of any part of this document is strictly prohibited. CONNELY may enforce its intellectual property rights at its own discretion, failures or delays to exercise such rights does not constitute a waiver of such rights.

REV.	DESCRIPTION	DRAWN	CHECKED	APPROVED
A	NEW RELEASE	JLZ 01/21/21'		



- Notes:
- Electrical Characteristics:
 - Contact Resistance: 50mΩ Max.
 - Dielectric Withstanding Voltage: 300V AC(rms) For 1 Minute.
 - Insulation Resistance: 100MΩ Min.
 - Current Rating:1.0A.
 - Voltage Rating:30V.
 - Environment Characteristics:
 - Temperature: -25°C~+85°C.
 - Materials:
 - Contact Material: Copper Alloy.
 - Contact Plating: Selective gold flash.
 - Insulator Material: LCP,Black.
 - Shell Materials: Copper Alloy or Steel.
 - Product Number Code:

DS1104 - X X X X X X - N - 152

- Sheel Materials:
 - C: Copper Alloy
 - F: Steel
- Packing type
 - R: Tape on reel
 - T: Tray
- Contact plating
 - 0: Selective gold flash
 - 4: Selective 3u" gold
 -
- Mounting type
 - S: SMT type
- Shell plating
 - N: Nickel
- Color of housing
 - B: Black

GENERAL TOLERANCE		ANGLE TOLERANCE		PROJECTION		TITLE	Mini USB AB Type 5 pos. Receptacle SMT Type
X.	±0.60	X.	±5°	UNITS	mm	SERIES	DS1104 SERIES
.X	±0.38	.X	±3°	SHEET SIZE	A4		
.XX	±0.25	.XX	±2°				
DRAWING TYPE		CUSTOMER		晨翔电子有限公司 CONNFLY ELECTRONIC CO. LTD			
SCALE		1:1					
DRAWING NO.		C-DS1104-XXXXX-N-152-A					