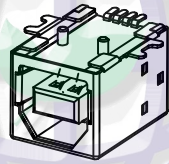
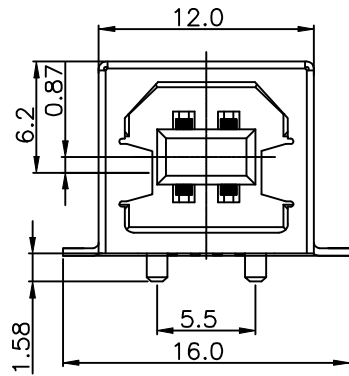


REV.	DESCRIPTION	DRAWN	CHECKED	APPROVED
A	NEW RELEASE	JLZ 10/20/15'	~	



NOTES:

1. SPECIFICATIONS:

- 1.1 CONTACT RESISTANCE: 30mΩ(max.)
- 1.2 INSULATOR RESISTANCE: 100MΩ min. AT 100V DC.
- 1.3 CURRENT RATING: 1.0A
- 1.4 VOLTAGE RATING: 30V AC/DC.
- 1.5 DIELECTRIC STRENGTH: AC 500V FOR 1 Minute.
- 1.6 OPERATING TEMPERATURE: -40°C ~ +105°C.

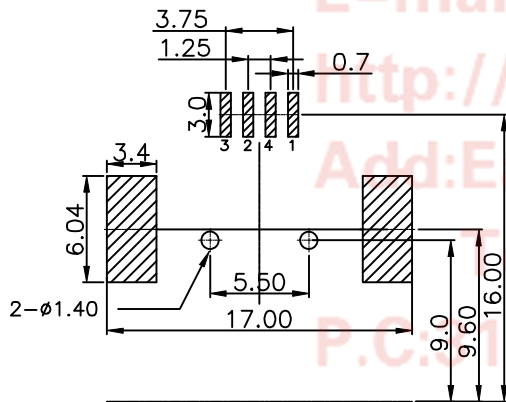
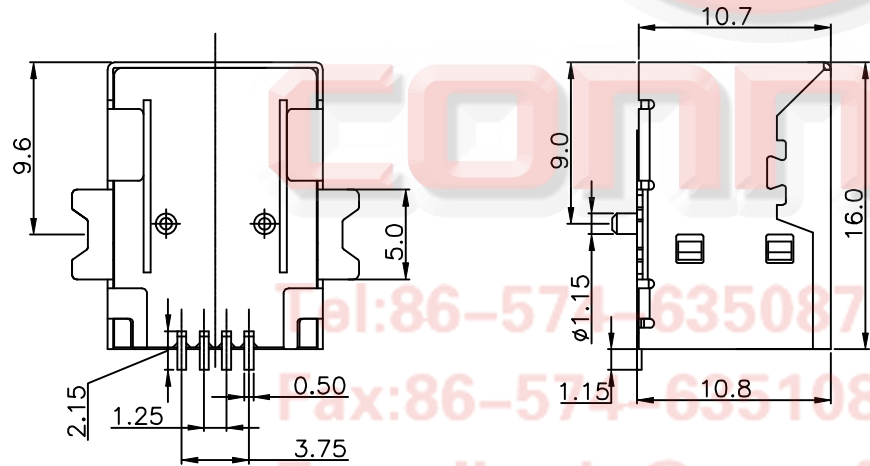
2. MATERIALS:

- 2.1 HOUSING: THERMOPLASTIC(PA-6T) (UL 94-0).
- 2.2 CONTACT: COPPER ALLOY
- 2.3 SHELL: COPPER ALLOY.

3. PRODUCT NUMBER CODE:

DS1099-06 - X X X X

- PACKING TYPE  
R: Tape On Reel  
T: Tray
- CONTACT PLATING  
O: Selective Gold Flash
- SHELL PLATING  
N: Nickel
- COLOR OF HOUSING:  
W: White  
B: Black



PCB Layout

GENERAL TOLERANCE		ANGLE TOLERANCE		PROJECTION	TITLE	USB B TYPE FEMALE R/A SMT TYPE	
X.	±0.60	X.	±5°	mm		SHEET SIZE	A4
.X	±0.38	.X	±3°			SERIES	DS1099-06 SERIES
.XX	±0.25	.XX	±2°				
DRAWING TYPE		CUSTOMER		<b>晨翔电子有限公司</b> <b>CONNFLY CONNFLY ELECTRONIC CO. LTD</b>			
SCALE		1:1					
DRAWING NO.		C-DS1099-06-XXXX-A					