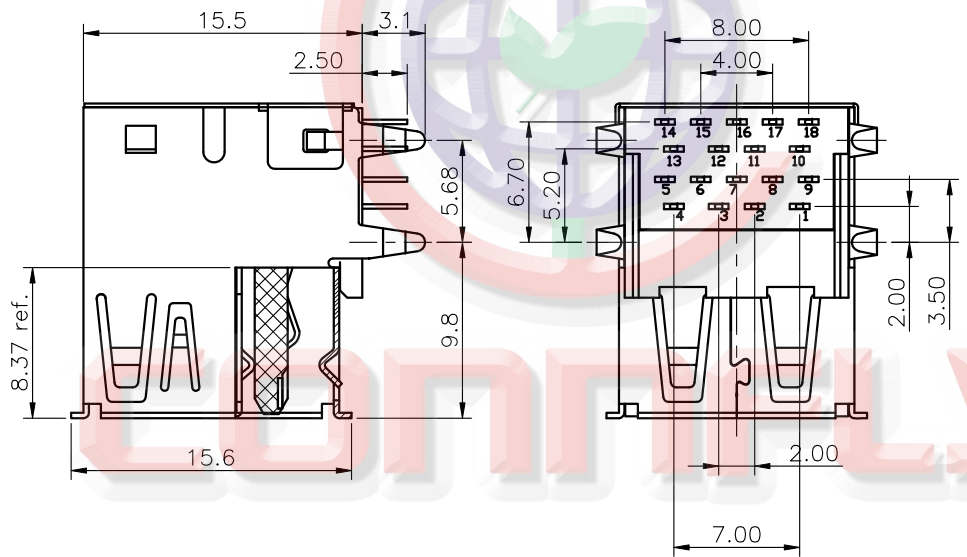
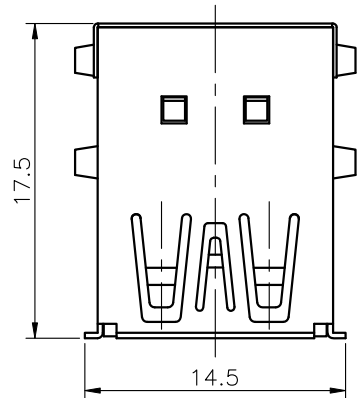
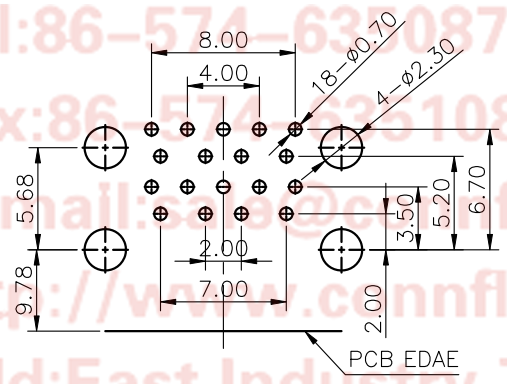
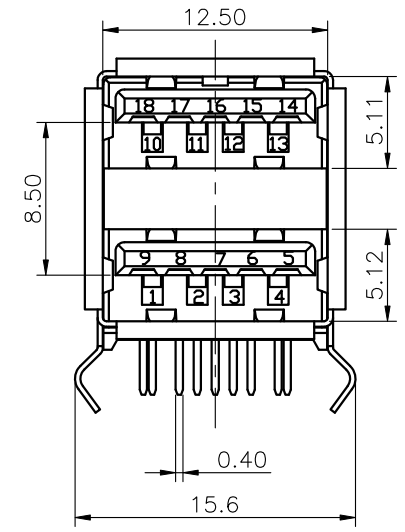
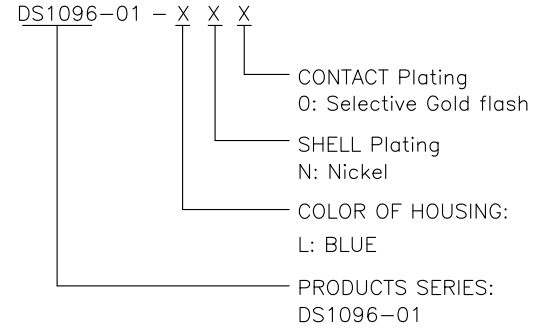


REV.	DESCRIPTION	DRAWN	CHECKED	APPROVED
A	NEW RELEASE	JLZ 03/24/17'	~	



NOTES:

- SPECIFICATIONS:
  - 1.0 CONTACT RESISTANCE:30mΩ max.
  - 1.1 INSULATOR RESISTANCE:1000MΩ min.AT DC 500V.
  - 1.2 CURRENT RATING:1.5A.
  - 1.3 VOLTAGE RATING:30VDC.
  - 1.4 DIELECTRIC STRENGTH:AC 500V FOR 1 Minute.
- MATERIALS:
  - 2.0 HOUSING:THERMOPLASTIC(UL 94 V-0).
  - 2.1 CONTACT:COPPER ALLOY
  - 2.2 SHELL:STEEL
- ENVIRONMENT CHARACTERISTICS:
  - 3.1 TEMPERATURE: -20°C~+85°C.
- PRODUCT NUMBER CODE:



RECOMMEND PCB LAYOUT  
TOLERANCE=±0.05

GENERAL TOLERANCE		ANGLE TOLERANCE		PROJECTION		TITLE	USB 3.0 STACK 18 PIN FEMALE RIGHT ANGLE TYPE			
X	±0.60	X	±5°	UNITS	mm					
.X	±0.38	.X	±3°	SHEET SIZE	A4	SERIES	DS1096-01 SERIES			
.XX	±0.25	.XX	±2°							
DRAWING TYPE		CUSTOMER		<b>晨翔电子有限公司</b> <b>CONNFLY CONNFLY ELECTRONIC CO. LTD</b>						
SCALE		1:1	SHEET			1 OF 1				
DRAWING NO.		C-DS1096-01-XXX-A								

Tel:86-574-63508787  
 Fax:86-574-63510817  
 E-mail:sales@connfly.com  
 http://www.connfly.com  
 Add:East Industry Zone KuangYan  
 Ningbo China  
 P.C:315333