

REV.	DESCRIPTION	DRAWN	CHECKED	APPROVED
A	NEW RELEASE	JLZ 02/18/16'	~	

NOTES:

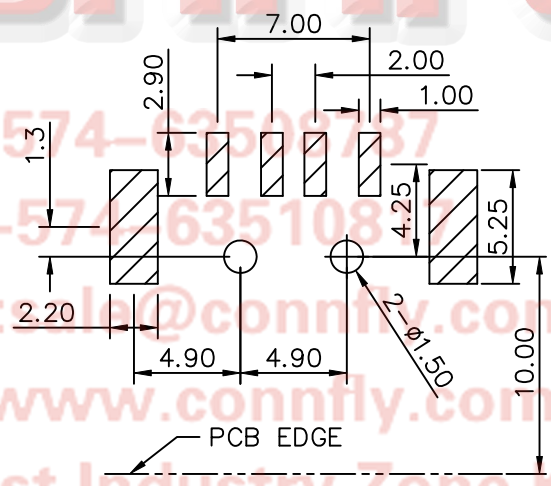
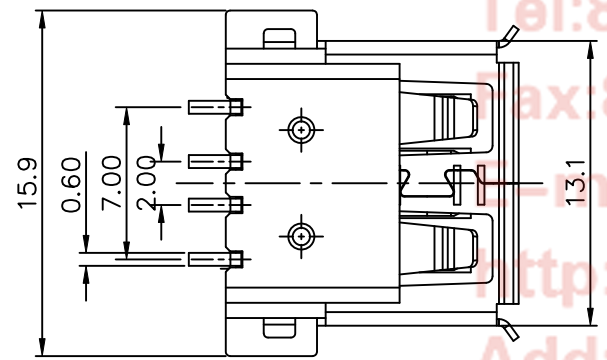
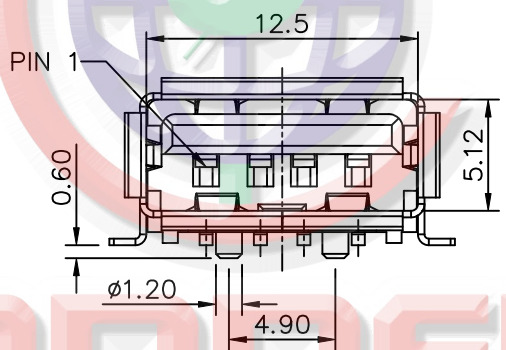
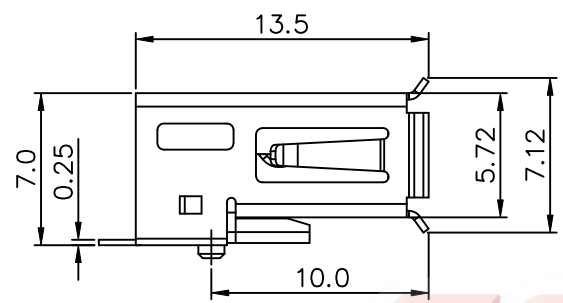
- SPECIFICATIONS:
  - CONTACT RESISTANCE: 30mΩ max.
  - INSULATOR RESISTANCE: 1000MΩ min. AT DC 500V.
  - CURRENT RATING: 1.5A.
  - VOLTAGE RATING: 30V AC/DC.
  - DIELECTRIC STRENGTH: AC 500V FOR 1 Minute.
  - TEMPERATURE RANGE: -40°C ~ +105°C.

- MATERIALS:
  - HOUSING: HIGH TEMPERATURE THERMOPLASTIC (UL 94-0).
  - CONTACT: COPPER ALLOY
  - SHELL: COPPER ALLOY.

- PRODUCT NUMBER CODE:
 

DS1095-02-X X X X - X X - N - 057

  - MYLAR SUPPORT  
S: W/ Mylar  
N/A: W/O Mylar
  - PACKING TYPE  
R: Tape On Reel  
N/A: Tray
  - CONTACT PLATING  
0: Selective gold flash  
03: Selective gold 3u"  
30: Selective gold 30u"
  - MOUNTING TYPE  
M: SMT
  - SHELL PLATING:  
N: Nickel  
6: Tin
  - COLOR OF HOUSING:  
W: White  
B: Black



RECOMMEND PCB LAYOUT  
(TOLERANCE=±0.05)

Tel: 86-574-63508737  
 Fax: 86-574-63510877  
 Email: zha@connfly.com  
 http://www.connfly.com  
 Add: East Industry Zone Kuang Yan  
 Town Cixi Ningbo China  
 P.C: 315333

GENERAL TOLERANCE		ANGLE TOLERANCE	
X.	±0.60	X.	±5°
.X	±0.38	.X	±3°
.XX	±0.25	.XX	±2°

DRAWING TYPE	CUSTOMER		
SCALE	1:1	SHEET	1 OF 1
DRAWING NO.	C-DS1095-02-XXMX-B		

PROJECTION		TITLE	USB FEMALE A TYPE SMT SERIES	
UNITS	mm	SHEET	A4	
SHEET SIZE	A4	SERIES	DS1095-02 SERIES	

晨翔电子有限公司  
**CONNFLY CONNFLY ELECTRONIC CO. LTD**