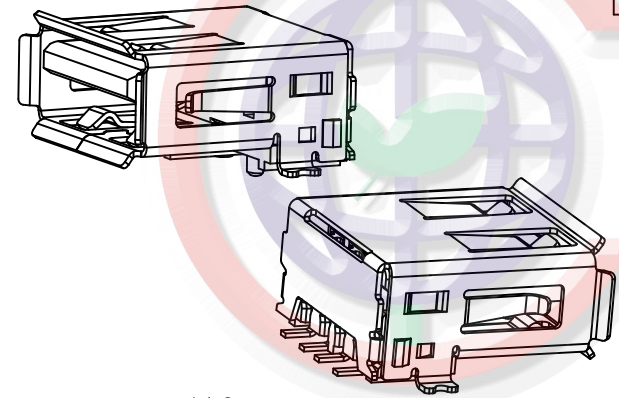
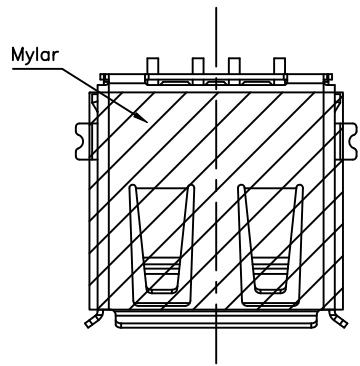
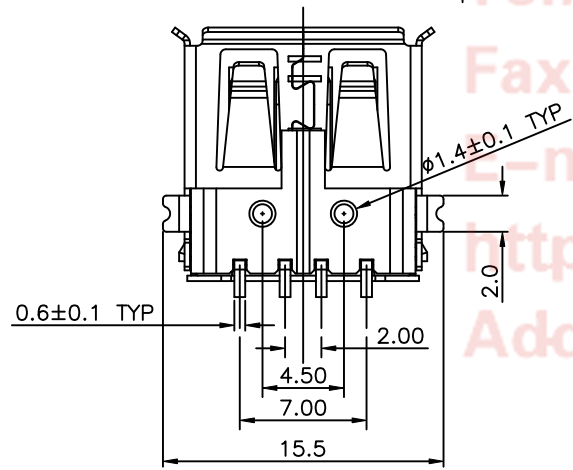
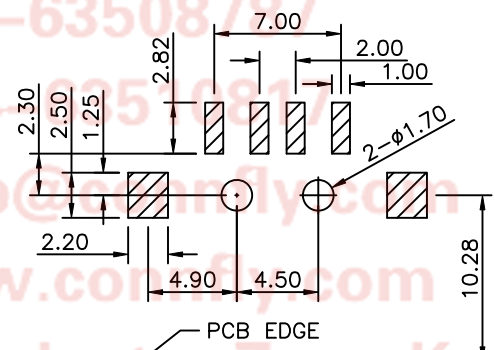
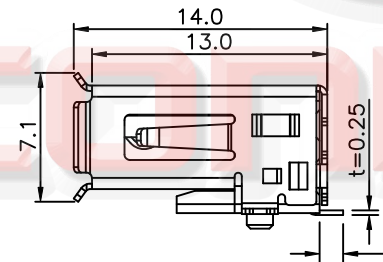
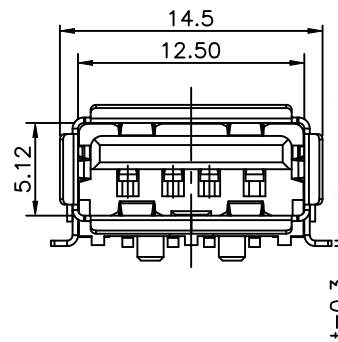


REV.	DESCRIPTION	DRAWN	CHECKED	APPROVED
A	NEW RELEASE	YCH 08/30/08'	~	YCH 08/30/08'
B	CORRECTION DRAWING	JLZ 02/15/16'	HZW 02/15/16'	LJC 02/15/16'
C	DRAWING UPDATE	JLZ 05/31/16'	HZW 05/31/16'	LJC 05/31/16'



- NOTES:
- SPECIFICATIONS:
    - CONTACT RESISTANCE: 30mΩ max.
    - INSULATOR RESISTANCE: 1000MΩ min.AT DC 500V.
    - CURRENT RATING: 1.5A.
    - VOLTAGE RATING: 30V AC/DC.
    - DIELECTRIC STRENGTH: AC 500V FOR 1 Minute.
    - TEMPERATURE RANGE: -40°C ~ +105°C.
  - MATERIALS:
    - HOUSING:HIGH TEMPERATURE THERMOPLASTIC(UL 94-0).
    - CONTACT: COPPER ALLOY
    - SHELL: COPPER ALLOY & STEEL.
  - PRODUCT NUMBER CODE:
 

DS1095-02- X X X X - X X X



- SHELL MATERIAL
  - Fe: Steel
  - N/A: Copper Alloy
- MYLAR SUPPORT
  - S: W/ Mylar
  - N/A: W/O Mylar
- PACKING TYPE
  - R: Tape On Reel
  - N/A: Tray
- CONTACT PLATING
  - 0: Selective gold flash
  - 03: Selective gold 3u"
  - 30: Selective gold 30u"
- MOUNTING TYPE
  - M: SMT
- SHELL PLATING:
  - N: Nickel
  - 6: Tin
- COLOR OF HOUSING:
  - W: White
  - B: Black

Tel:86-574-63508787  
 Fax:86-574-63510817  
 E-mail:sale@connfly.com  
 http://www.connfly.com  
 Add:East Industrial Zone, KuangYan  
 Town, Ningbo City, Zhejiang  
 P.C:315333

RECOMMEND PCB LAYOUT  
(TOLERANCE=±0.05)

GENERAL TOLERANCE		ANGLE TOLERANCE	
X.	±0.60	X.	±5°
.X	±0.38	.X	±3°
.XX	±0.25	.XX	±2°

PROJECTION	TITLE
UNITS	mm
SHEET SIZE	A4
SERIES	DS1095-02 SERIES

DRAWING TYPE	CUSTOMER
SCALE	1:1 SHEET 1 OF 1
DRAWING NO.	C-DS1095-02-XXMX-C

**晨翔电子有限公司**  
**CONNFLY CONNFLY ELECTRONIC CO. LTD**

