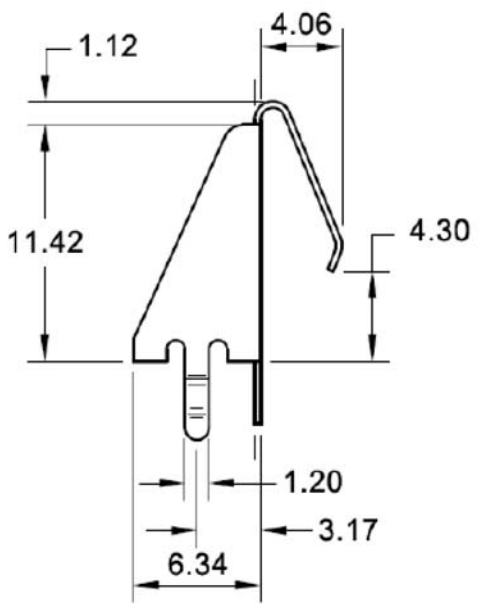
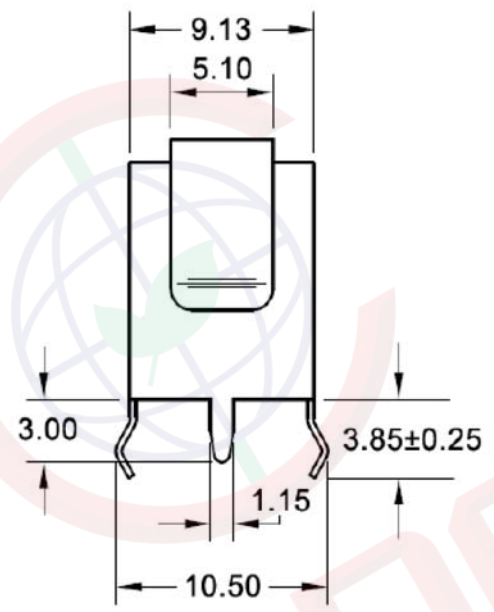
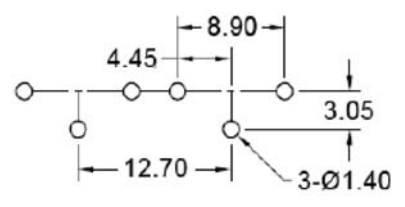


The information provided herein is from CONNPLY Electronic Co., Ltd. and is confidential. Any disclosure to a party other than the recipient is prohibited. The intellectual properties and its rights contained herein, including but not limited to, trademarks, patents, copyrights, trade secrets, and technical know-how, are owned exclusively by CONNPLY or its affiliates. Unauthorized use or reproduction of any part of this document is strictly prohibited. CONNPLY may enforce its intellectual property rights at its own discretion, failures or delays to exercise such rights does not constitute a waiver of such rights.

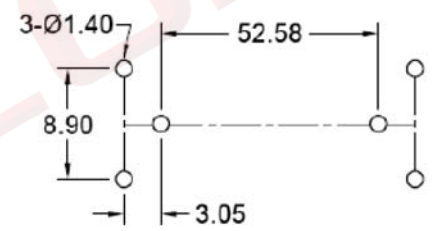
REV.	DESCRIPTION	DRAWN	CHECKED	APPROVED
A	NEW RELEASE	JLZ 03/18/21'		



FOR "9V" MOUNTING DETAIL



FOR "AA" MOUNTING DETAIL
P/N BC-590(-)& BC-596(+)



NOTE:

1. Material: Spring Steel
2. Voltage rating: 9V.
3. Part Number Code:

DS1092-93 - X X X X

- Packing type:
P: Polybag
- Contact plating:
N: Nickel
- Thickness:
0300: 0.30mm
- Material:
FE: Spring Steel

GENERAL TOLERANCE		ANGLE TOLERANCE	
X.	±0.60	X.	±5°
.X	±0.38	.X	±3°
.XX	±0.25	.XX	±2°

DRAWING TYPE	CUSTOMER		
SCALE	1:1	SHEET	1 OF 1
DRAWING NO.	C-DS1092-93-XXXX-A		

PROJECTION		TITLE	BC-590 Spring Battery Connector For AA,CR2,CR123A,9V Battery
UNITS	mm	SERIES	DS1092-93 SERIES

晨翔电子有限公司
CONNPLY ELECTRONIC CO. LTD