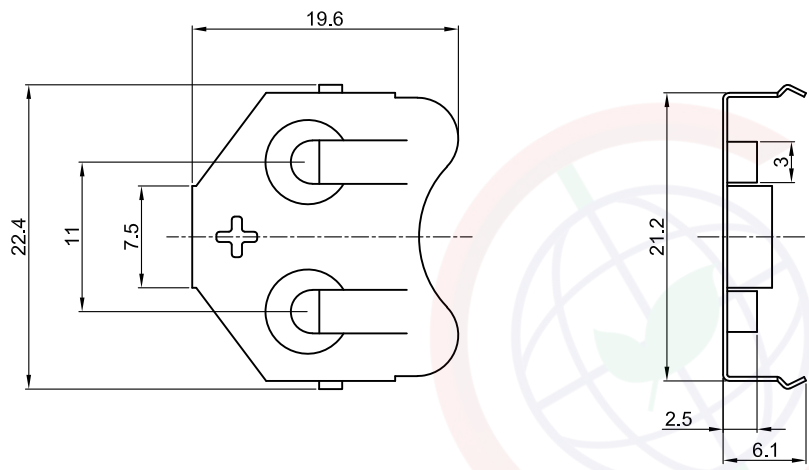


The information provided herein is from CONNELY Electronic Co., Ltd. and is confidential. Any disclosure to a party other than the recipient is prohibited. The intellectual properties and its rights contained herein, including but not limited to, trademarks, patents, copyrights, trade secrets, and technical know-how, are owned exclusively by CONNELY or its affiliates. Unauthorized use of this information in any format or manner. CONNELY may enforce its intellectual property rights at its own discretion; failures or delays to exercise such rights does not constitute a waiver of such rights.

1 2 3 4 5 6 7 8

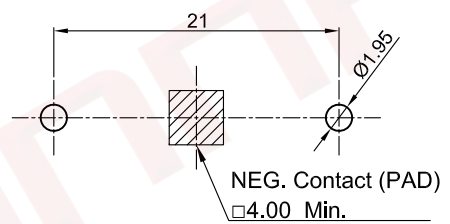
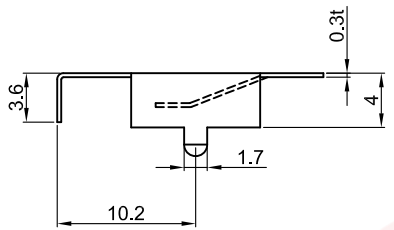
REV.	DESCRIPTION	DRAWN	CHECKED	APPROVED
A	NEW RELEASE	JLZ 11/28/23'		



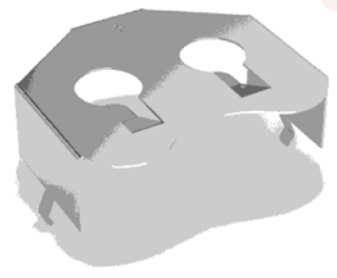
NOTE:

1. Material:PH Bronze
2. Voltage rating: 3V.
3. Part Number Code:
DS1092-37 - X X X - H4.0

Contact plating:
 N: Nickel
 Thickness:
 0300: 0.30mm
 Material:
 PB: Phosphor bronze



Mounting PAD Layout



(Series Image-Reference Only)

GENERAL TOLERANCE		ANGLE TOLERANCE		PROJECTION		TITLE	BC2002 Battery Holder
X.	±0.60	X.	±5°	UNITS	mm	Spring Dip Type	
.X	±0.38	.X	±3°	SHEET SIZE	A4	SERIES	DS1092-37 SERIES
.XX	±0.25	.XX	±2°	晨翔电子有限公司 CONNELY CONNELY ELECTRONIC CO. LTD			
DRAWING TYPE		CUSTOMER					
SCALE	1:1	SHEET	1 OF 1				
DRAWING NO.		C-DS1092-37-XXX-H4.0-A					

1 2 3 4 5 6 7 8