

REV.	DESCRIPTION	DRAWN	CHECKED	APPROVED
A	NEW RELEASE	HP 21/06/05	~	LJC 21/06/05
B	整理图画	YCH 09/17/07	~	LJC 09/17/07
C	DRAWING UPDATE	JLZ 07/01/17'	HZW 07/01/17'	LJC 07/01/17'
D	DRAWING UPDATE	JLZ 05/24/18'	~	

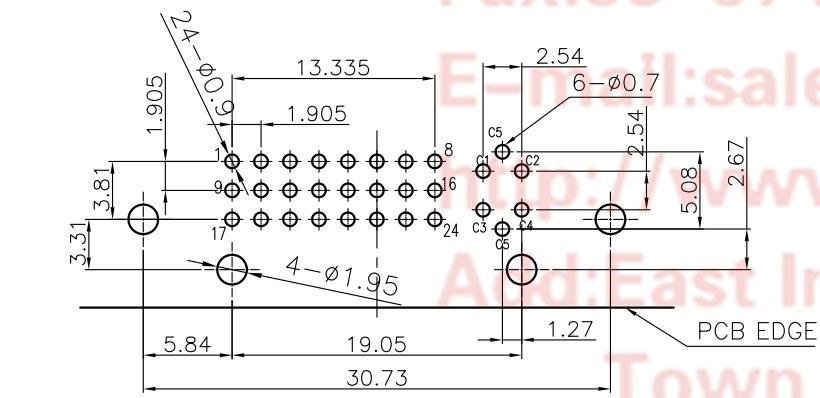
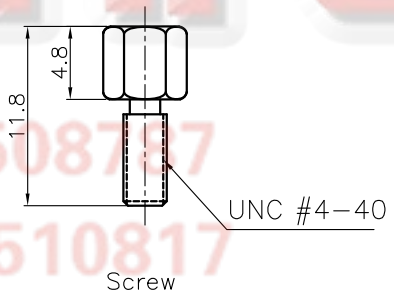
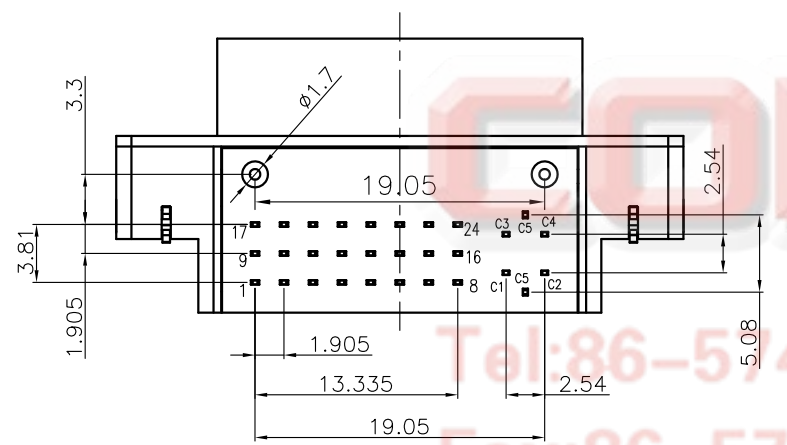
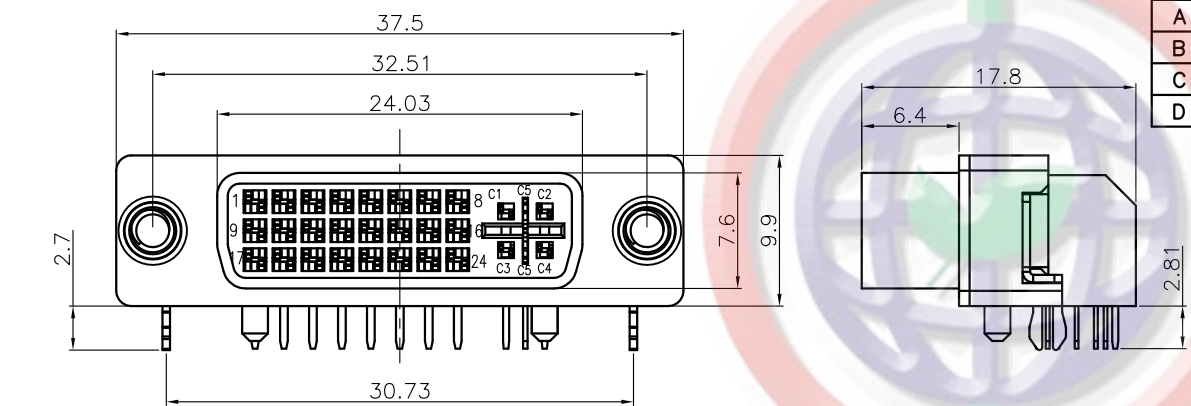
NOTES:

- SPECIFICATIONS
 - Contact Resistance: 30mΩ max
 - Insulation Resistance: 1000MΩ min.
 - Current Rating: 1A
 - Dielectric withstanding voltage: AC 500V For 1 minute
 - Contact: Copper alloy.
 - Housing: Thermoplastic(UL 94V-0)

2. PRODUCT NUMBER CODE:

DS1091 - X X X X

- Screw type
 - X: W/O screw
 - S: W/ #4-40(UNC) screw
 - D: Rivet Type With Screw In Bulk Package
- Contact plating
 - O: Selective gold flash
- Shell plating
 - N: Nickel
 - 6: Tin
- Color of housing
 - W: WHITE
 - B: BLACK
 - V: Ivory



GENERAL TOLERANCE		ANGLE TOLERANCE		PROJECTION	TITLE
X.	±0.60	X.	±5°		DVI PLUG WITH RIGHT ANGLE 24+5(JDR-245)
.X	±0.38	.X	±3°	mm	
.XX	±0.25	.XX	±2°	A4	SERIES DS1091
DRAWING TYPE		CUSTOMER		晨翔电子有限公司 CONNFLY CONNFLY ELECTRONIC CO. LTD	
SCALE		SHEET			
DRAWING NO.		1 OF 1			
		C-DS1091-XXXX-D			