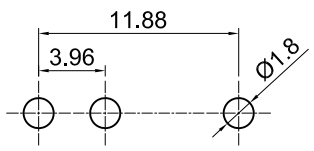
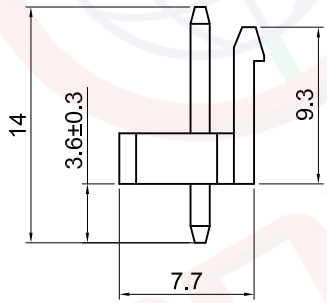
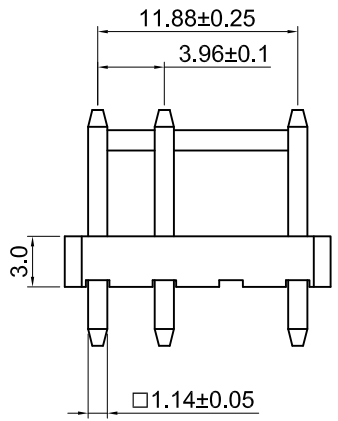
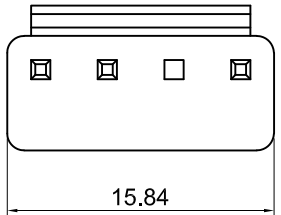


1	2	3	4	5	6	7	8	
Dept	P/N Code:DS1073-4MVW6-C3			REV.	DESCRIPTION	DRAWN	CHECKED	APPROVED
Qty				A	NEW RELEASE	JLZ 12/05/23'		
DC	1							
ED	1							
IE	1							
ISO	1							
PD	1							
R&D	1							
SD	1							
QA	1							
QC	1							
QE	1							

The information provided herein is from CONNELY Electronic Co., Ltd. and is confidential. Any disclosure to a party other than the recipient is prohibited. The intellectual properties and its rights contained herein, including but not limited to, trademarks, patents, copyrights, trade secrets, and technical know-how, are owned exclusively by CONNELY or its affiliates. Unauthorized use of this information in any format or manner. CONNELY may enforce its intellectual property rights at its own discretion; failures or delays to exercise such rights does not constitute a waiver of such rights.



Recommend PCB layout
Tolerance:±0.05mm

Notes:
Specifications:
 1. Contact Resistance: 20mΩ Max.
 2. Insulation Resistance: 1000MΩ Min.
 3. Dielectric Withstanding Voltage: 1000V AC(rms) For 1 Minute.
 4. Current Rating:7A.
 5. Temperature: -25°C~+85°C.
 Materials:
 1. Contact Material: Copper Alloy.
 2. Contact Plating: Tin Plating Over Nickel.
 3. Insulator Material: PA66,White.
 Resistance to soldering heat: 240°C,3-5seconds.

GENERAL TOLERANCE		ANGLE TOLERANCE		PROJECTION		TITLE	3.96mm VH Type	
X.	±0.60	X.	±5°	UNITS	mm			
.X	±0.38	.X	±3°	SHEET SIZE	A4	SERIES	DS1073 SERIES	
.XX	±0.25	.XX	±2°	晨翔电子有限公司 CONNELY CONNELY ELECTRONIC CO. LTD				
DRAWING TYPE		CUSTOMER						
SCALE	1:1	SHEET	1 OF 1					
DRAWING NO.		C-DS1073-4MVW6-C3-A						