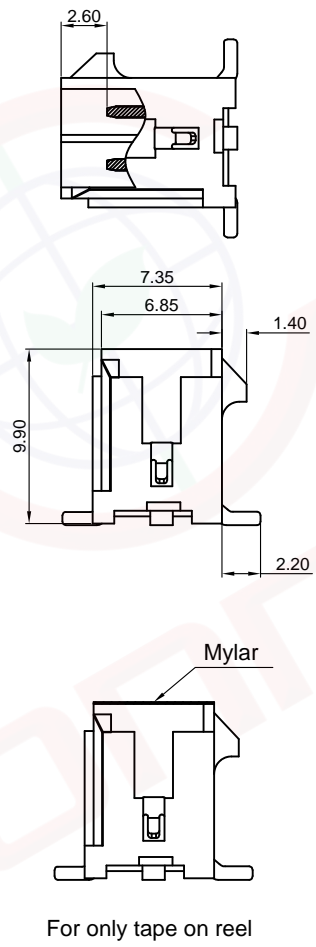
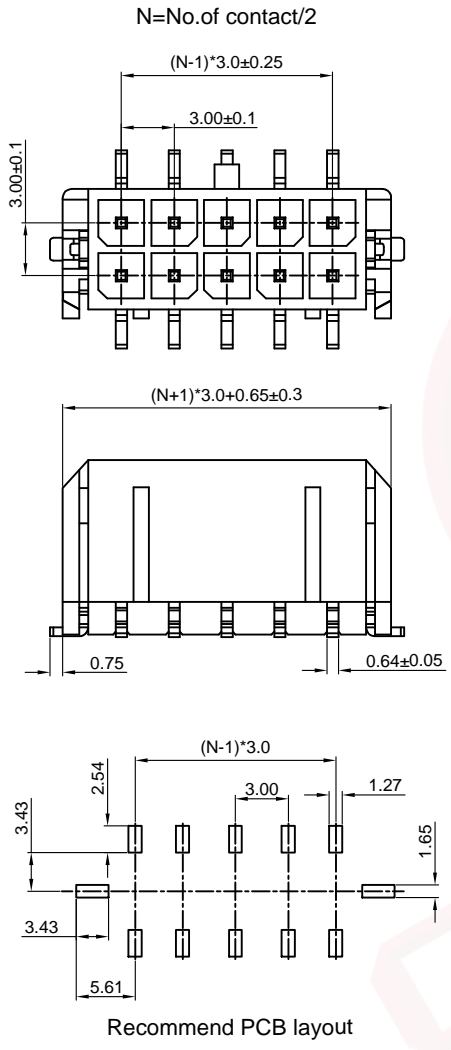


Dept	
Qty	
DC	1
ED	1
IE	1
ISO	1
PD	1
R&D	1
SD	1
QA	1
QC	1
QE	1

The information provided herein is from CONNELY Electronic Co., Ltd. and is confidential. Any disclosure to a party other than the recipient is prohibited. The intellectual properties and its rights contained herein, including but not limited to, trademarks, patents, copyrights, trade secrets, and technical know-how, are owned exclusively by CONNELY or its affiliates. Unauthorized use or reproduction of any part of this document, in any form or by any means, without the prior written permission of CONNELY, is strictly prohibited. CONNELY may enforce its intellectual property rights at its own discretion, failures or delays to exercise such rights does not constitute a waiver of such rights.



REV.	DESCRIPTION	DRAWN	CHECKED	APPROVED
A	NEW RELEASE	JLZ 03/11/16'	HZW 03/11/16'	LJC 03/11/16'
B	DRAWING UPDATE	JLZ 03/05/20'		

NOTES:

- Main specifications
  - Housing material: LCP
  - Rated voltage: 250V
  - Rated current: 3A
  - Contact resistance: 30mΩ max
  - Insulation resistance: 1000MΩ min
  - Withstanding voltage: 1000V, AC 1 minute
  - Temperature range: -25°C ~ +85°C

2. Product number code:

DS1073-07 - X X X X X X

- Packing type
  - T: Tray
  - R: Tape on reel
  - P: Polybag
- Housing Color
  - B: Black
- Contact Plating
  - 6: Tin
- Mounting type
  - S: Upright type
- Connector type
  - M: Male
- No. of contact
  - 2x1~2x12

GENERAL TOLERANCE		ANGLE TOLERANCE	
X.	±0.60	X.	±5°
.X	±0.38	.X	±3°
.XX	±0.25	.XX	±2°

DRAWING TYPE	CUSTOMER		
SCALE	1:1	SHEET	1 OF 2
DRAWING NO.	C-DS1073-07-XXXXX-B		

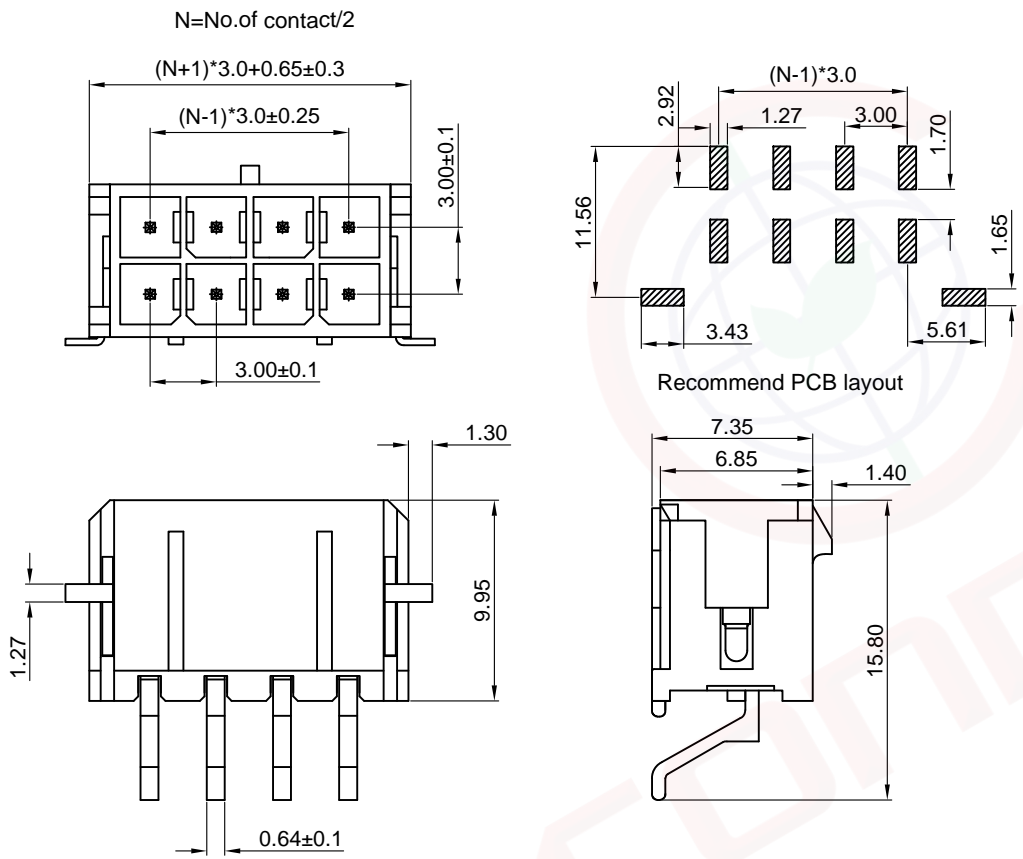
PROJECTION		TITLE	3.0mm Micro ATX Connector
UNITS	mm		Upright SMT Type
SHEET SIZE	A4	SERIES	DS1073-07 SERIES

晨翔电子有限公司  
CONNFLY CONNELY ELECTRONIC CO., LTD

Dept	
Qty	
DC	1
ED	1
IE	1
ISO	1
PD	1
R&D	1
SD	1
QA	1
QC	1
QE	1

The information provided herein is from CONNELY Electronic Co., Ltd. and is confidential. Any disclosure to a party other than the recipient is prohibited. The intellectual properties and its rights contained herein, including but not limited to, trademarks, patents, copyrights, trade secrets, and technical know-how, are owned exclusively by CONNELY or its affiliates. Unauthorized use or reproduction of any part of this document is strictly prohibited. CONNELY may enforce its intellectual property rights at its own discretion, failures or delays to exercise such rights does not constitute a waiver of such rights.

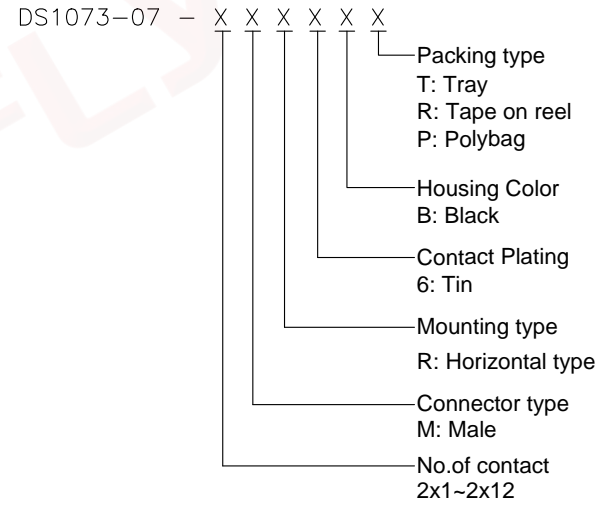
REV.	DESCRIPTION	DRAWN	CHECKED	APPROVED
A	NEW RELEASE	JLZ 03/11/16'	HZW 03/11/16'	LJC 03/11/16'
B	DRAWING UPDATE	JLZ 03/05/20'		



NOTES:

- Main specifications
  - . Housing material: LCP
  - . Rated voltage: 250V
  - . Rated current: 3A
  - . Contact resistance: 30mΩ max
  - . Insulation resistance: 1000MΩ min
  - . Withstanding voltage: 1000V, AC 1 minute
  - . Temperature range: -25°C ~ +85°C

2. Product number code:



(Series Image-Reference Only)

GENERAL TOLERANCE	ANGLE TOLERANCE	PROJECTION		TITLE	3.0mm Micro ATX Connector
X. ±0.60	X. ±5°	UNITS	mm	Horizontal SMT Type	
.X ±0.38	.X ±3°	SHEET SIZE	A4	SERIES	DS1073-07 SERIES
.XX ±0.25	.XX ±2°	<b>晨翔电子有限公司</b> CONNELY ELECTRONIC CO., LTD			
DRAWING TYPE	CUSTOMER				
SCALE	1:1				
DRAWING NO.	C-DS1073-07-XXXXX-B				