

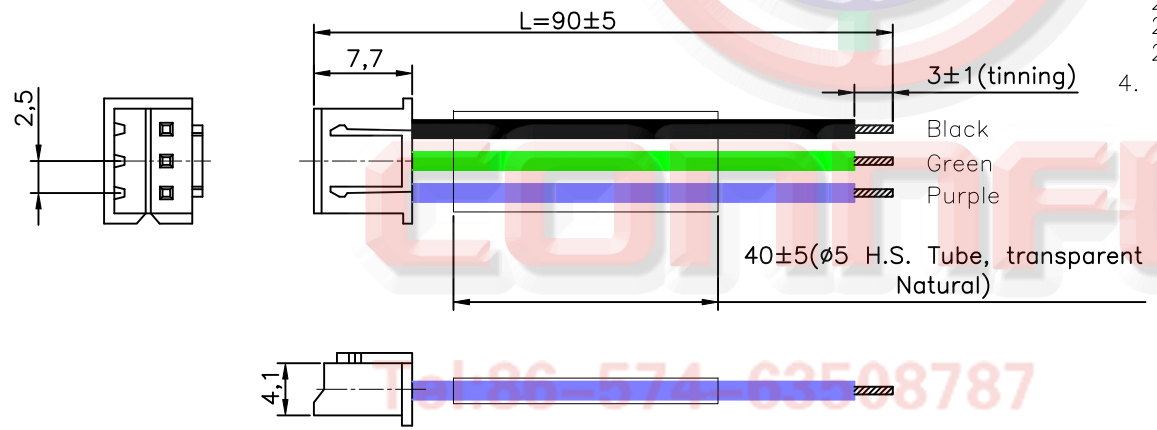
REV.	DESCRIPTION	DRAWN	CHECKED	APPROVED
A	NEW RELEASE	JLZ 07/10/17'		

NOTES:

- Materials:
 - Housing material: NYLON 66
 - Contact: Copper Alloy
 - Wire Insulator: PVC
 - Wire: Tin Plated Copper
- Specifications:
 - Current Rating:1.5A
 - Voltage Rating:250V AC/DC
 - Contact Resistance: 100mΩ Max.
 - Insulation resistance: 100MΩ Min.
 - Wire Range:AWG#24
- Product Number Code:

DS1069-05 - X X X X X X X - TUBE - ELTECH - 036

- LENGTH(DIM.L)
090: 90mm
- HOUSING COLOR
W: White
- CONTACT PLATING
6: Full Tin
- MOUNTING TYPE
C: Crimp
- WIRE GAUGE
24: 1007 AWG #24
- CONNECTOR TYPE
F: Female
- No.OF CONTACTS
3



TEL:86-574-63508787
 Fax:86-574-63510817
 E-mail:sale@connfly.com
 http://www.connfly.com
 Add:East Industry Zone KuangYan
 Town Chongyang Shu
 P.C:315333

GENERAL TOLERANCE	ANGLE TOLERANCE
X. ±0.60	X. ±5°
.X ±0.38	.X ±3°
.XX ±0.25	.XX ±2°

PROJECTION	TITLE
	2.5mm XH Type W/ Crimp Wire
UNITS	mm
SHEET SIZE	A4
SERIES	DS1069-05 SERIES

FOR ELTECH ONLY

DRAWING TYPE	CUSTOMER
SCALE	1:1 SHEET 1 OF 1
DRAWING NO.	C-DS1069-05-XXXXXXX-A

晨翔电子有限公司
CONNFLY CONNFLY ELECTRONIC CO., LTD