

REV.	DESCRIPTION	DRAWN	CHECKED	APPROVED
A	NEW RELEASE	JLZ 09/24/15'		

NOTES:

1. Materials:

- 1.1 Housing material: NYLON 66
- 1.2 Contact: Copper Alloy
- 1.3 Wire Insulator: PVC
- 1.4 Wire: Tin Plated Copper

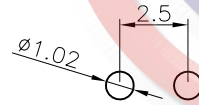
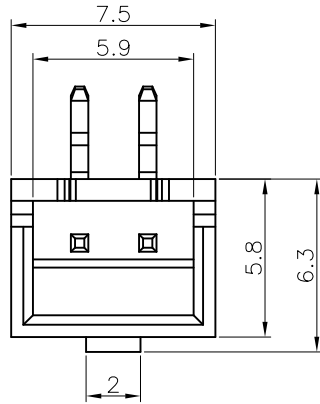
2. Specifications:

- 2.1 Current Rating: 1.5A
- 2.2 Voltage Rating: 250V AC/DC
- 2.3 Contact Resistance: 30mΩ Max. (Connector Only)
- 2.4 Insulation resistance: 1000MΩ Min. (Connector Only)
- 2.5 Temperature Range: -20°C ~ +85°C

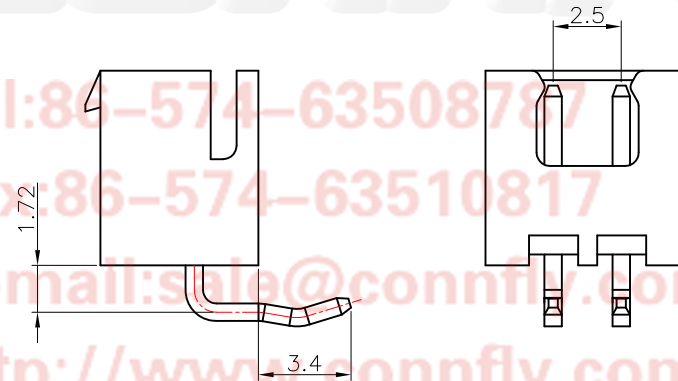
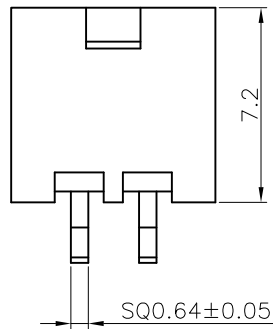
3. Product Number Code:

DS1069-04 - X X X X X

- HOUSING COLOR
W: White
- CONTACT PLATING
6: Full Tin
- MOUNTING TYPE
R: R/A
- CONNECTOR TYPE
M: Male
- No. OF CONTACTS
2



RECOMMEND PCB LAYOUT



Tel: 86-574-63508787

Fax: 86-574-63510817

E-mail: sale@connfly.com

http://www.connfly.com

Add: East Industry Zone KuangYan

Town Cixi Ningbo China

P.C: 315333

GENERAL TOLERANCE		ANGLE TOLERANCE	
X.	±0.60	X.	±5°
.X	±0.38	.X	±3°
.XX	±0.25	.XX	±2°

PROJECTION	TITLE
	2.5mm NEW XH TYPE DOUBLE LOCK TYPE
UNITS	mm
SHEET SIZE	A4
SERIES	DS1069-04 SERIES

DRAWING TYPE	CUSTOMER		
SCALE	1:1	SHEET	1 OF 1
DRAWING NO.	C-DS1069-04-XXXXXXX-A		

晨翔电子有限公司
CONNFLY CONNFLY ELECTRONIC CO., LTD