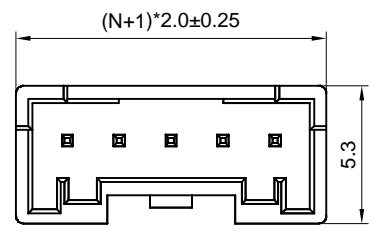


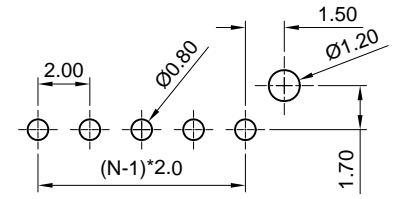
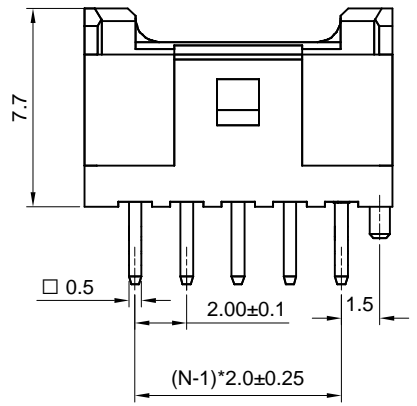
| | |
|------|-----|
| Dept | Qty |
| DC | 1 |
| ED | 1 |
| IE | 1 |
| ISO | 1 |
| PD | 1 |
| R&D | 1 |
| SD | 1 |
| QA | 1 |
| QC | 1 |
| QE | 1 |

| REV. | DESCRIPTION | DRAWN | CHECKED | APPROVED |
|------|-------------|---------------|---------|----------|
| A | NEW RELEASE | JLZ 04/16/19' | | |
| | | | | |
| | | | | |

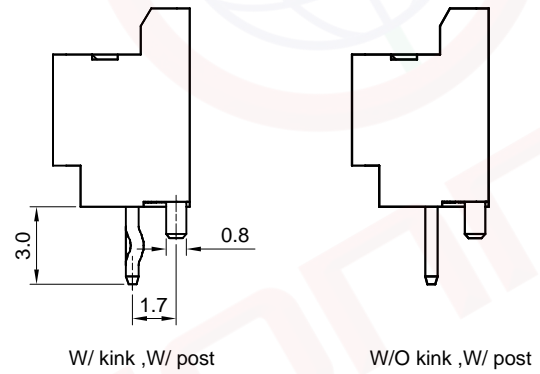
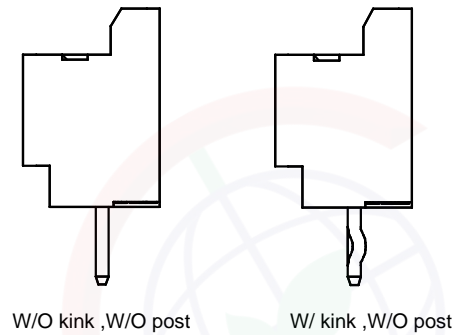
The information provided herein is from CONNELY Electronic Co., Ltd. and is confidential. Any disclosure to a party other than the recipient is prohibited. The intellectual properties and its rights contained herein, including but not limited to, trademarks, patents, copyrights, trade secrets, and technical know-how, are owned exclusively by CONNELY or its affiliates. Unauthorized use of this information in any form or by any means, including photocopying, recording, or by any information storage and retrieval system, without the prior written permission of CONNELY is strictly prohibited. CONNELY may enforce its intellectual property rights at its own discretion, failures or delays to exercise such rights does not constitute a waiver of such rights.



N=No. of contacts



Recommend PCB layout



Notes:

Specifications:

- Contact Resistance: 20mΩ Max.
- Insulation Resistance: 1000MΩ Min.
- Dielectric Withstanding Voltage: 500V AC(rms) For 1 Minute.
- Current Rating:2A(24Awg).
- Temperature: -25°C~+85°C.

Materials:

- Contact Material: Copper Alloy.
- Contact Plating: Tin Plating Over Nickel.
- Insulator Material: Nylon,White.

Product Number Code:

DS1066-12- X X X X X X

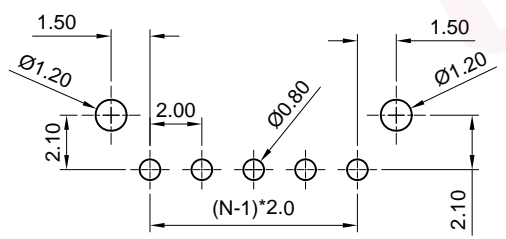
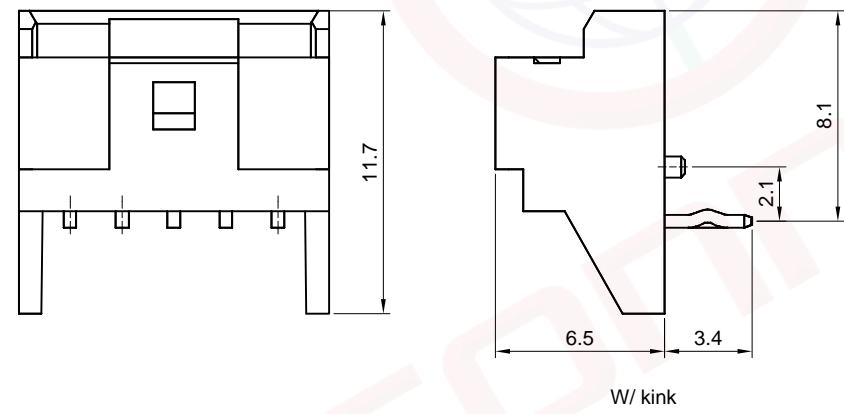
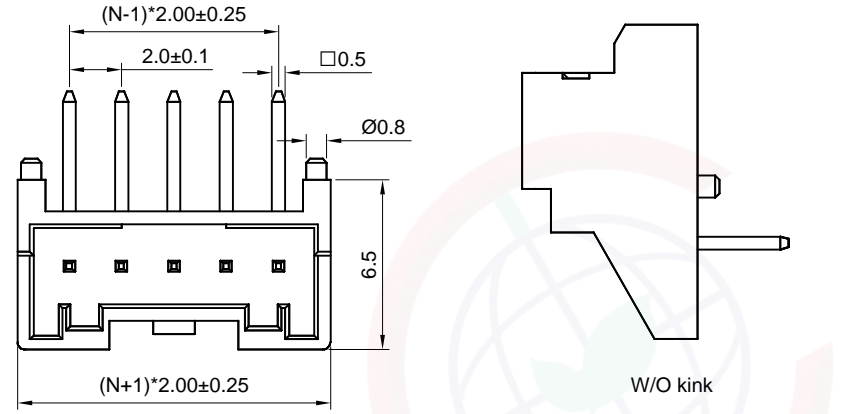
- Post support
S: W/ post
X:W/O post
- Kink support
S: W/ kink
X:W/O kink
- Contact plating
6: Tin
- Housing color
W: White
- Mounting type
V: V/T type
- Connector type
M: Male
- No. of contacts
02~16

| | | | | | | | |
|-------------------|-------|----------------------|--------|--|----|--------------------------|------------------|
| GENERAL TOLERANCE | | ANGLE TOLERANCE | | PROJECTION | | TITLE | |
| X. | ±0.60 | X. | ±5° | UNITS | mm | 2.00mm PA Wafer V/T Type | |
| .X | ±0.38 | .X | ±3° | SHEET SIZE | A4 | SERIES | DS1066-12 SERIES |
| .XX | ±0.25 | .XX | ±2° | 晨翔电子有限公司 CONNELY CONNELY ELECTRONIC CO. LTD | | | |
| DRAWING TYPE | | CUSTOMER | | | | | |
| SCALE | 1:1 | SHEET | 1 OF 3 | | | | |
| DRAWING NO. | | C-DS1066-12-XXXXXX-A | | | | | |

| | |
|------|---|
| Dept | |
| Qty | |
| DC | 1 |
| ED | 1 |
| IE | 1 |
| ISO | 1 |
| PD | 1 |
| R&D | 1 |
| SD | 1 |
| QA | 1 |
| QC | 1 |
| QE | 1 |

The information provided herein is from CONNELY Electronic Co., Ltd. and is confidential. Any disclosure to a party other than the recipient is prohibited. The intellectual properties and its rights contained herein, including but not limited to, trademarks, patents, copyrights, trade secrets, and technical know-how, are owned exclusively by CONNELY or its affiliates. Unauthorized use or reproduction of any part of this document is strictly prohibited. CONNELY may enforce its intellectual property rights at its own discretion, failures or delays to exercise such rights does not constitute a waiver of such rights.

| REV. | DESCRIPTION | DRAWN | CHECKED | APPROVED |
|------|-------------|---------------|---------|----------|
| A | NEW RELEASE | JLZ 04/16/19' | | |
| | | | | |
| | | | | |



Recommend PCB layout

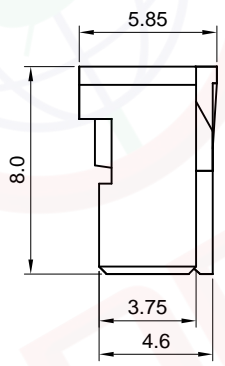
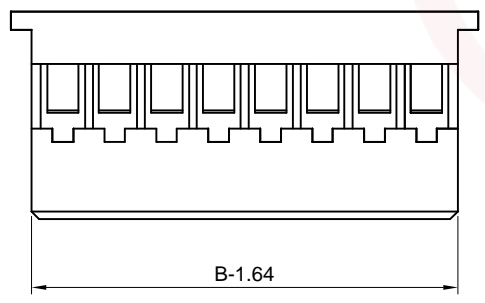
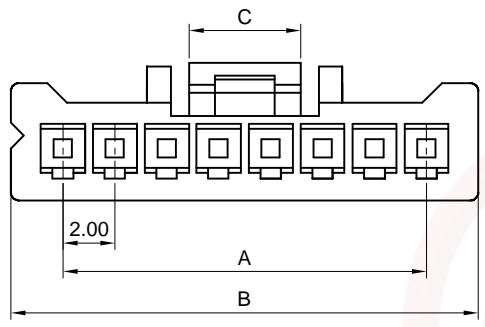
- Notes:
- Specifications:
- Contact Resistance: 20mΩ Max.
 - Insulation Resistance: 1000MΩ Min.
 - Dielectric Withstanding Voltage: 500V AC(rms) For 1 Minute.
 - Current Rating: 2A(24Awg).
 - Temperature: -25°C~+85°C.
- Materials:
- Contact Material: Copper Alloy.
 - Contact Plating: Tin Plating Over Nickel.
 - Insulator Material: Nylon, White.
- Product Number Code:
- DS1066-12- X X X X X
- X: Kink support
 - S: W/ kink
 - X: W/O kink
 - 6: Contact plating
 - 6: Tin
 - Housing color
 - W: White
 - Mounting type
 - R: R/A type
 - Connector type
 - M: Male
 - No. of contacts
 - 02-16

| | | | | | | | |
|-------------------|-------|----------------------|-----|--|----|--------------------------|------------------|
| GENERAL TOLERANCE | | ANGLE TOLERANCE | | PROJECTION | | TITLE | |
| X. | ±0.60 | X. | ±5° | UNITS | mm | 2.00mm PA Wafer R/A Type | |
| .X | ±0.38 | .X | ±3° | SHEET SIZE | A4 | SERIES | DS1066-12 SERIES |
| .XX | ±0.25 | .XX | ±2° | 晨翔电子有限公司 CONNFLY CONNELY ELECTRONIC CO. LTD | | | |
| DRAWING TYPE | | CUSTOMER | | | | | |
| SCALE | | 1:1 | | | | | |
| DRAWING NO. | | C-DS1066-12-XXXXXX-A | | SHEET | | 2 OF 3 | |

| | |
|------|---|
| Dept | |
| Qty | |
| DC | 1 |
| ED | 1 |
| IE | 1 |
| ISO | 1 |
| PD | 1 |
| R&D | 1 |
| SD | 1 |
| QA | 1 |
| QC | 1 |
| QF | 1 |

The information provided herein is from CONNELY Electronic Co., Ltd. and is confidential. Any disclosure to a party other than the recipient is prohibited. The intellectual properties and its rights contained herein, including but not limited to, trademarks, patents, copyrights, trade secrets, and technical know-how, are owned exclusively by CONNELY or its affiliates. Unauthorized use or reproduction of any part of this document is strictly prohibited. CONNELY may enforce its intellectual property rights at its own discretion, failures or delays to exercise such rights does not constitute a waiver of such rights.

| REV. | DESCRIPTION | DRAWN | CHECKED | APPROVED |
|------|-------------|---------------|---------|----------|
| A | NEW RELEASE | JLZ 04/16/19' | | |
| | | | | |
| | | | | |



Notes:

Specifications:

- Contact Resistance: 20mΩ Max.
- Insulation Resistance: 500MΩ Min.
- Dielectric Withstanding Voltage: 500V AC(rms) For 1 Minute.
- Current Rating: 2A(24Awg).
- Temperature: -25°C~+85°C.
- Application wire range: AWG22#~28#

Material:

- Insulator Material: Nylon, White.

Product Number Code:

I - DS1066-12- S C W O X

02-16
Housing color
W: White

| Position | DIMENSION | | | Position | DIMENSION | | |
|----------|-----------|-------|-----|----------|-----------|-------|------|
| | A | B | C | | A | B | C |
| 2 | 2.00 | 6.00 | 2.3 | 10 | 18.00 | 22.00 | 11.0 |
| 3 | 4.00 | 8.00 | 3.8 | 11 | 20.00 | 24.00 | 11.0 |
| 4 | 6.00 | 10.00 | 4.5 | 12 | 22.00 | 26.00 | 11.0 |
| 5 | 8.00 | 12.00 | 4.5 | 13 | 24.00 | 28.00 | 11.0 |
| 6 | 10.00 | 14.00 | 4.5 | 14 | 26.00 | 30.00 | 11.0 |
| 7 | 12.00 | 16.00 | 4.5 | 15 | 28.00 | 32.00 | 11.0 |
| 8 | 14.00 | 18.00 | 4.5 | 16 | 30.00 | 34.00 | 15.0 |
| 9 | 16.00 | 20.00 | 4.5 | | | | |

| | | | | | | |
|-------------------|-------|----------------------|-----|-----------------------|----|-------------------------|
| GENERAL TOLERANCE | | ANGLE TOLERANCE | | PROJECTION | | TITLE |
| X. | ±0.60 | X. | ±5° | UNITS | mm | 2.00mm PA Housing |
| .X | ±0.38 | .X | ±3° | SHEET SIZE | A4 | SERIES DS1066-12 SERIES |
| .XX | ±0.25 | .XX | ±2° | DRAWING TYPE CUSTOMER | | |
| SCALE | | 1:1 | | SHEET | | 3 OF 3 |
| DRAWING NO. | | C-DS1066-12-XXXXXX-A | | | | |

| | | |
|--|--|--|
| | 晨翔电子有限公司 CONNFLY ELECTRONIC CO. LTD | |
| | | |