

REV.	DESCRIPTION	DRAWN	CHECKED	APPROVED
A	NEW RELEASE	JLZ 09/29/16'		

NOTES:

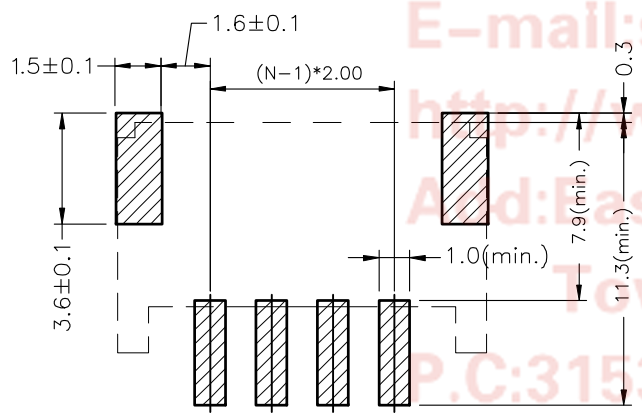
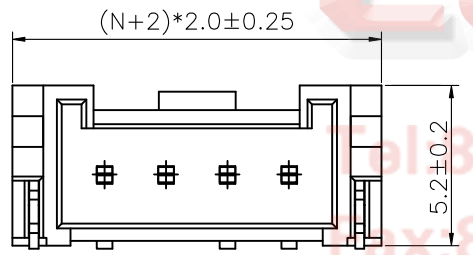
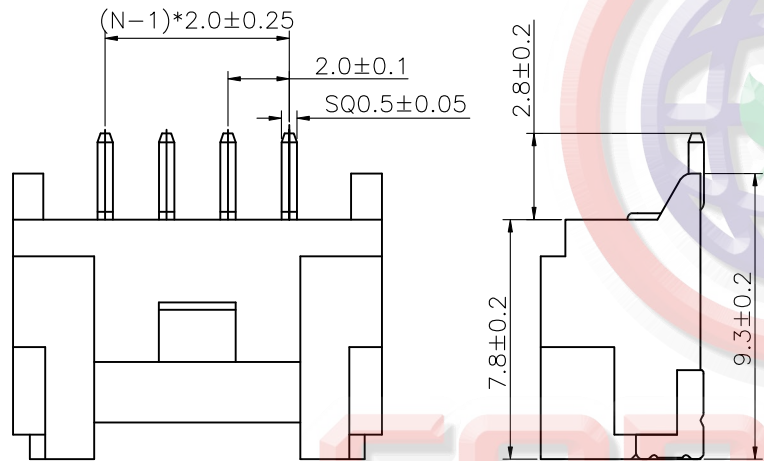
1. MAIN SPECIFICATIONS

- . Housing material: HIGH TEMP,THERMOPLASTIC
- . Contact material: Copper Alloy
- . Rated voltage: 125V
- . Rated current: 1A
- . Contact resistance:30mΩ Max
- . Insulation resistance:1000MΩ Min
- . Withstanding voltage: 500V,AC 1 minute
- . Temperature range: -25 ~ +85°C
- . Recommend PC board thickness:1.6mm

2. PRODUCT NUMBER CODE:

DS1066-06 - X X X X X X

- Packing type
A: Polybag
B: Tube
R: Tape on reel
- Contact Plating
6: Tin
- Housing Color
V: Ivory
- Mounting type
R: R/A SMT type
- Connector type
M: Male
- No.of contact
2~16




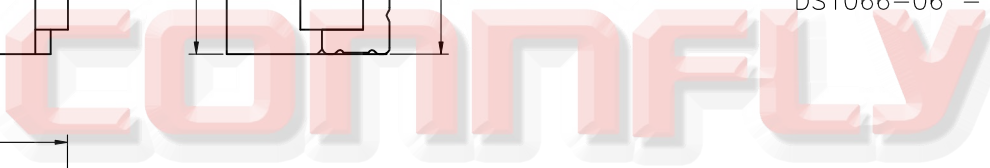
RECOMMEND PCB LAYOUT
(TOLERANCE= ±0.05)

GENERAL TOLERANCE		ANGLE TOLERANCE	
X.	±0.60	X.	±5°
.X	±0.38	.X	±3°
.XX	±0.25	.XX	±2°

PROJECTION	TITLE
UNITS	2.00mm Wafer R/A SMT Type
SHEET SIZE	SERIES DS1066-06 SERIES

DRAWING TYPE	CUSTOMER		
SCALE	1:1	SHEET	1 OF 1
DRAWING NO.	C-DS1066-06-XXXXX-A		


晨翔电子有限公司
CONNFLY CONNFLY ELECTRONIC CO. LTD



Tel: 86-574-63508787
Fax: 86-574-63510817

E-mail: sale@connfly.com

http://www.connfly.com

Address: East Industry Zone KuangYan

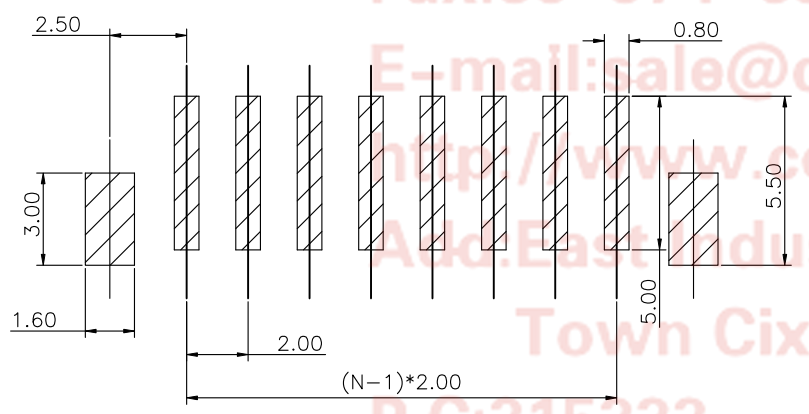
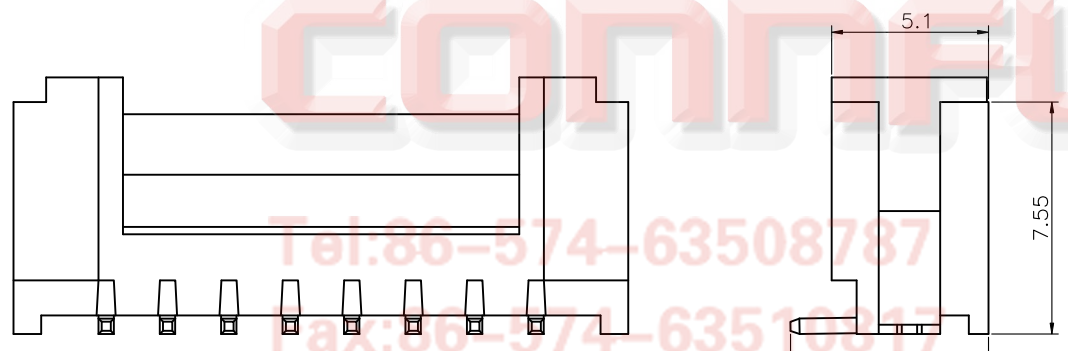
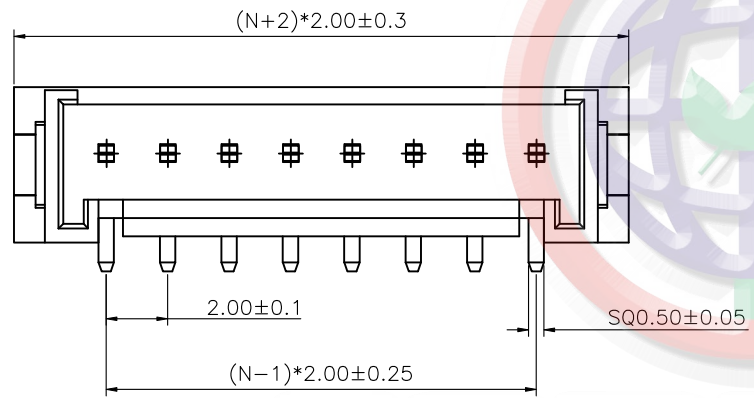
Town Cixi Ningbo China

P.C: 315333

REV.	DESCRIPTION	DRAWN	CHECKED	APPROVED
A	NEW RELEASE	JLZ 09/29/16'		

NOTES:

- MAIN SPECIFICATIONS
 - Housing material: HIGH TEMP,THERMOPLASTIC
 - Contact material: Copper Alloy
 - Rated voltage: 125V
 - Rated current: 1A
 - Contact resistance:30mΩ Max
 - Insulation resistance:1000MΩ Min
 - Withstanding voltage: 500V,AC 1 minute
 - Temperature range: -25 ~ +85°C
 - Recommend PC board thickness:1.6mm
- PRODUCT NUMBER CODE:
 DS1066-06 - X X X X X X
 - Packing type
 A: Polybag
 B: Tube
 R: Tape on reel
 - Contact Plating
 6: Tin
 - Housing Color
 V: Ivory
 - Mounting type
 V: V/T SMT type
 - Connector type
 M: Male
 - No.of contact
 2~16



RECOMMEND PCB LAYOUT
(TOLERANCE= ±0.05)

GENERAL TOLERANCE		ANGLE TOLERANCE	
X.	±0.60	X.	±5°
.X	±0.38	.X	±3°
.XX	±0.25	.XX	±2°

DRAWING TYPE	CUSTOMER		
SCALE	1:1	SHEET	1 OF 1
DRAWING NO.	C-DS1066-06-XXXXX-A		

PROJECTION		TITLE	2.00mm Wafer V/T SMT Type	
UNITS	mm	SHEET	A4	SERIES
SHEET SIZE	A4	SERIES	DS1066-06	SERIES