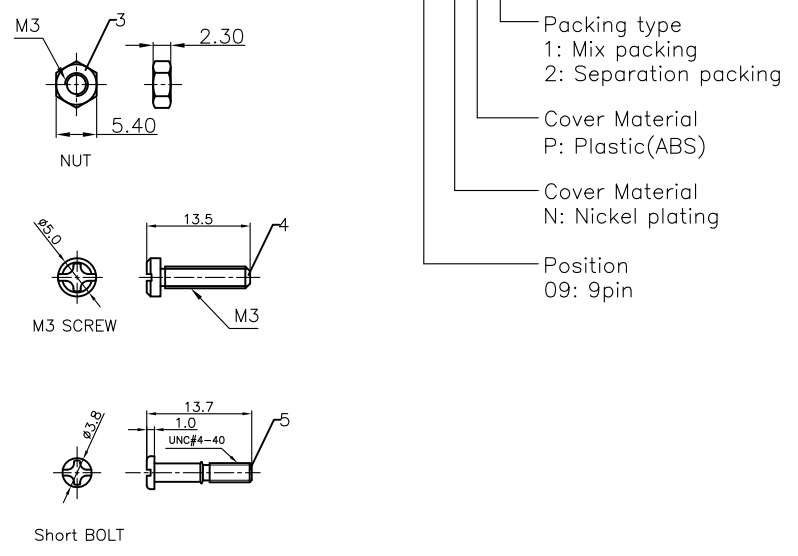


REV.	DESCRIPTION	DRAWN	CHECKED	APPROVED
A	NEW RELEASE	YCH 06/18/12'	~	

NOTES:
 1. Hardwares are all Nickel plated.
 2. PART NUMBER CODE:
 DS1053 - XX X X X



BOM LIST			
ITEM	PART NAME	Q'ty	NOTES
1	PLASTIC HOOD-1	1	ABS
2	PLASTIC HOOD-2	1	ABS
3	NUT	2	M3
4	M3 SCREW	2	M3
5	SHORT BOLT	2	UNC #4-40

GENERAL TOLERANCE		ANGLE TOLERANCE		PROJECTION		TITLE	
X.	±0.60	X.	±5°			D-SUB 9pin Hood 45° OUT CABLE	
.X	±0.38	.X	±3°	mm		NICKEL PLATING TYPE	
.XX	±0.25	.XX	±2°	A4		SERIES	DS1053 SERIES
DRAWING TYPE		COSTOMER		晨翔电子有限公司 CONNFLY CONNFLY ELECTRONIC CO. LTD			
SCALE		1:1					
DRAWING NO.		C-DS1053-09XXX-A					

Tel: 86-574-62508787
 Fax: 86-574-62518317
 E-mail: sales@zhengxin.com.cn
 Http://www.connfly.com
 Add: East Industry Zone, Huangyan
 P.C: 315333